

# aroTHERM plus



### **Important Note:**

This quick guide shall support the professional installer in planning, installing and commissioning the appliance. It shall on no account replace or modify the installation, operating and maintenance instructions delivered with the appliance which always have to be observed. This guide does not replace the need for training, Vaillant training should be completed before installation.

The non-observance of the instructions delivered with the appliance can lead to malfunctions of the appliance and can result in death or serious injuries. Some characteristics of the appliance shown in this quick guide may vary from those of the most current series version. Vaillant Group UK Ltd shall not be held liable for any damages or injuries arising directly or indirectly from the use of this quick guide.

©All rights reserved. Vaillant UK, 2019.



You can scan or click QR-Codes in this brochure

**Download our aroTHERM plus manual here**



**Download our technical specification brochure here**





# Get started quickly!

## Your step-by-step guide to installing the aroTHERM plus

---

### Plan your work ...

- » Select the correct aroTHERM plus to fit your needs: performance, dimensions, sound emissions 4
- » Find the perfect space for your installation: quiet, vented, safe 7
- » Select the perfect domestic hot water storage 11
- » System expansion vessel sizing 12
- » Decide on installation type to select required accessories (ground, wall, roof) 13
- » Tick your planning checklist  16

### ... work your plan: Installing the aroTHERM plus system

- » Choose your system schematic 17
- » Start with the hydraulic connection 18
- » Proceed to the power supply and eBUS connection 19
- » Choose your indoor unit uniTOWER, hydraulic module or heat pump interface 21
- » Connect the system accessories heat exchanger module 26
- » Connect the buffer tank 28
- » Tick your installation checklist  30

### ... and start your system

- » Follow the instructions of the installation assistant 31
- » Just in case: Find remedies to error, status and maintenance codes 31
- » Technical data 32
- » Accessories 34
- » Notes 37

Check the product installation manuals for further information.

---

We are here to help you!

Don't hesitate to contact us for further support:

**Vaillant Group UK Ltd.**

Nottingham Road, Belper, Derbyshire DE56 1JT

Telephone 0330 100 3540

[www.vaillant.co.uk/renewables](http://www.vaillant.co.uk/renewables)

[aftersales@vaillant.co.uk](mailto:aftersales@vaillant.co.uk)



# Plan your work ...

## Select the correct aroTHERM plus to fit your needs

### Performance data

When designing a heating system that utilises a heat pump, there are a number of design factors that need to be considered.

### Heat loss

MCS recommend using the MIS 3005 installation standard for designing a heat pump system. Systems should be specified at peak winter requirements, depending on location, to ensure year round comfort as detailed in the table below.

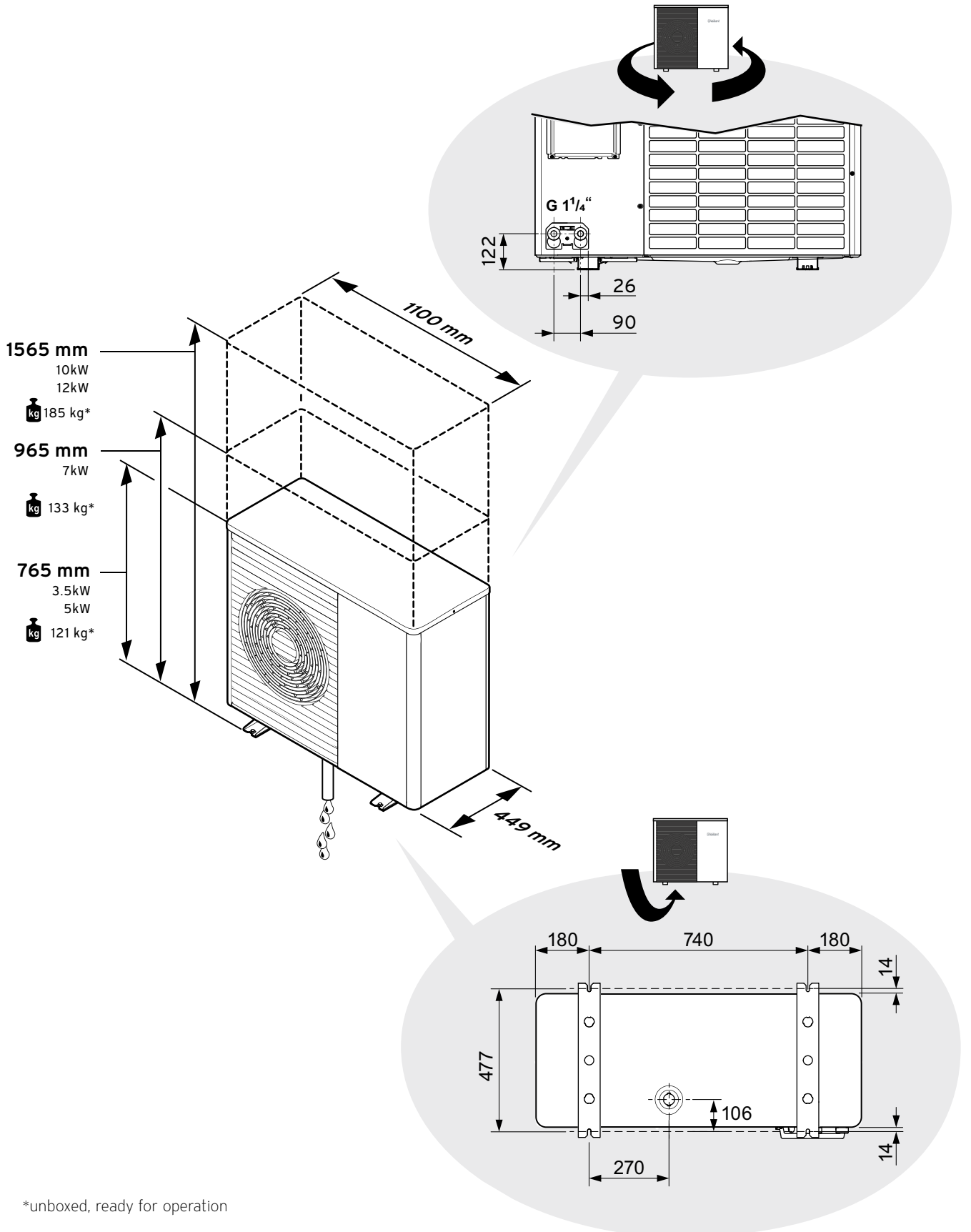
MIS 3005 design temperatures	Hourly dry-bulb temperature (°C) equal to or exceeded for % of the hours in a year
	99%
Belfast	-1.2
Birmingham	-3.4
Cardiff	-1.6
Edinburgh	-3.4
Glasgow	-3.9
London	-1.8
Manchester	-2.2
Plymouth	-0.2

A room-by-room heating requirement check will then need to be carried out at the set outside temperature in order to understand the heating needs of the total property.

### SCOP data

aroTHERM output		35°C flow		40°C flow		45°C flow		50°C flow		55°C flow	
		Output	SCOP	Output	SCOP	Output	SCOP	Output	SCOP	Output	SCOP
3.5kW	-5°C	4.2	4.41	4.1	4.03	4	3.65	3.9	3.37	3.8	3.10
	-3°C	4.6		4.4		4.3		4.2		4	
	0°C	4.7		4.7		4.6		4.5		4.4	
	2°C	4.9		4.9		4.9		4.7		4.6	
5kW	-5°C	6.3	4.48	6	4.13	5.6	3.77	5.5	3.41	5.4	3.06
	-3°C	6.8		6.4		6.1		5.9		5.8	
	0°C	6.9		6.7		6.6		6.4		6.2	
	2°C	7.1		7		6.9		6.7		6.5	
7kW	-5°C	8.2	4.36	8.1	4.13	8	3.91	7.5	3.65	7	3.39
	-3°C	8.8		8.6		8.4		7.9		7.4	
	0°C	9.5		9.3		9.1		8.6		8.1	
	2°C	10		9.8		9.6		9		8.5	
10kW	-5°C	9.9	5.03	9.7	4.58	9.4	4.13	9.1	3.85	8.8	3.58
	-3°C	10.7		10.3		10		9.6		9.2	
	0°C	11.9		11.6		11.3		10.7		10.2	
	2°C	12.8		12.5		12.1		11.5		10.9	
12kW	-5°C	13.1	4.88	12.8	4.55	12.5	4.21	11.7	3.92	10.8	3.63
	-3°C	13.9		13.4		12.9		12.1		11.2	
	0°C	15.2		14.6		14.1		13.2		12.3	
	2°C	16		15.5		14.9		13.9		13	

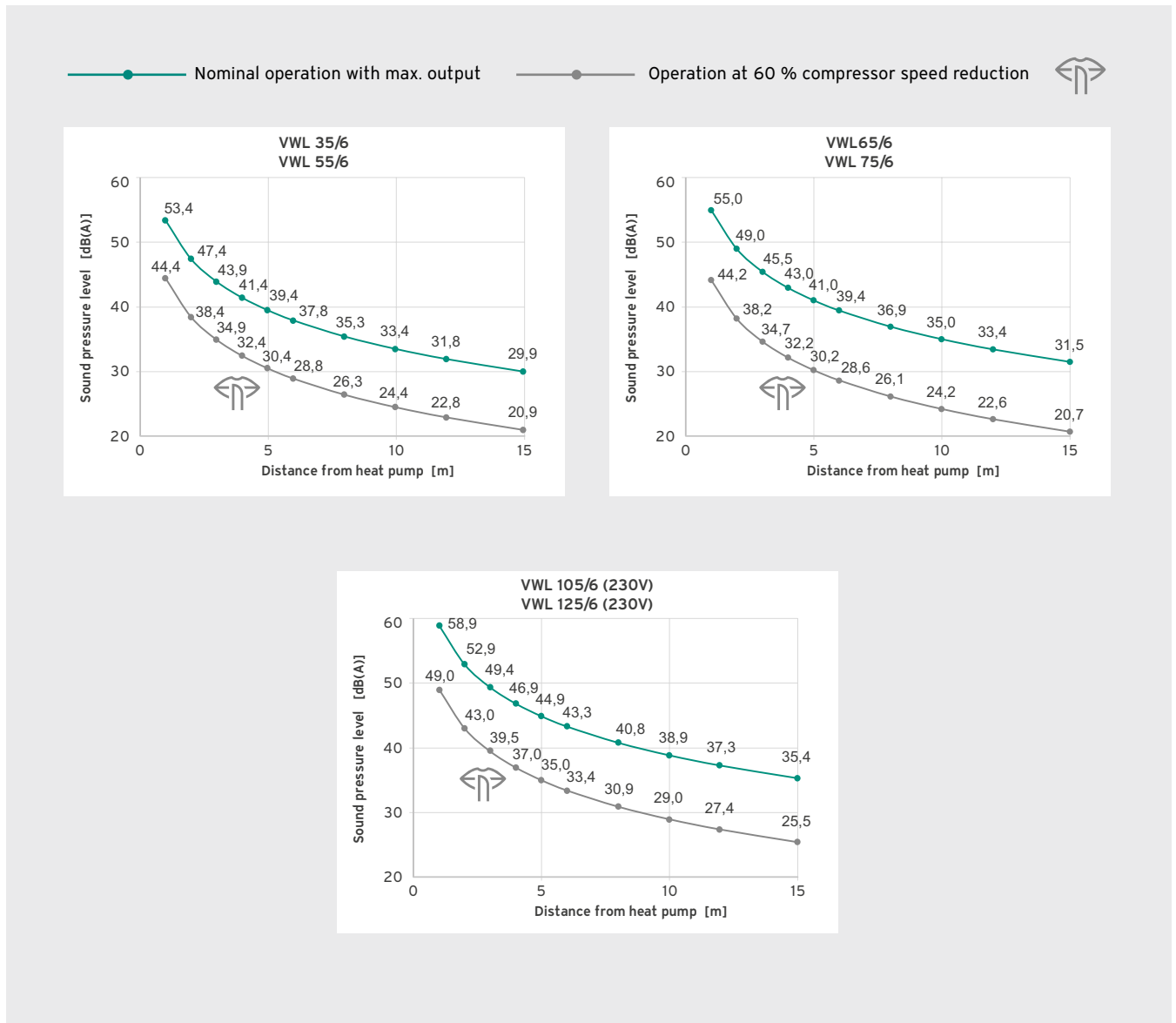
## Product dimensions



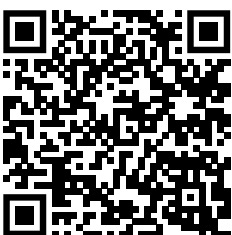
## Sound power and pressure level

For sound pressure calculations, use sound power values in table below to ensure compliance with building regulations. See charts for reference and guidance.

aroTHERM plus	3.5 kW	5 kW	7 kW	10 kW	12 kW
Sound power level A7/W55	54 dB	54 dB	55 dB	60 dB	60 dB



Listen here



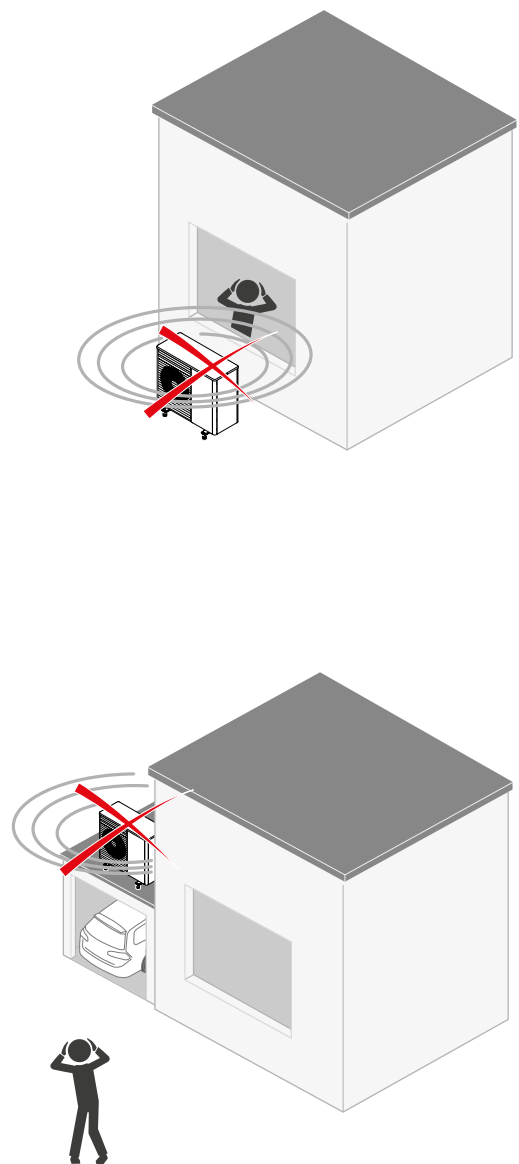
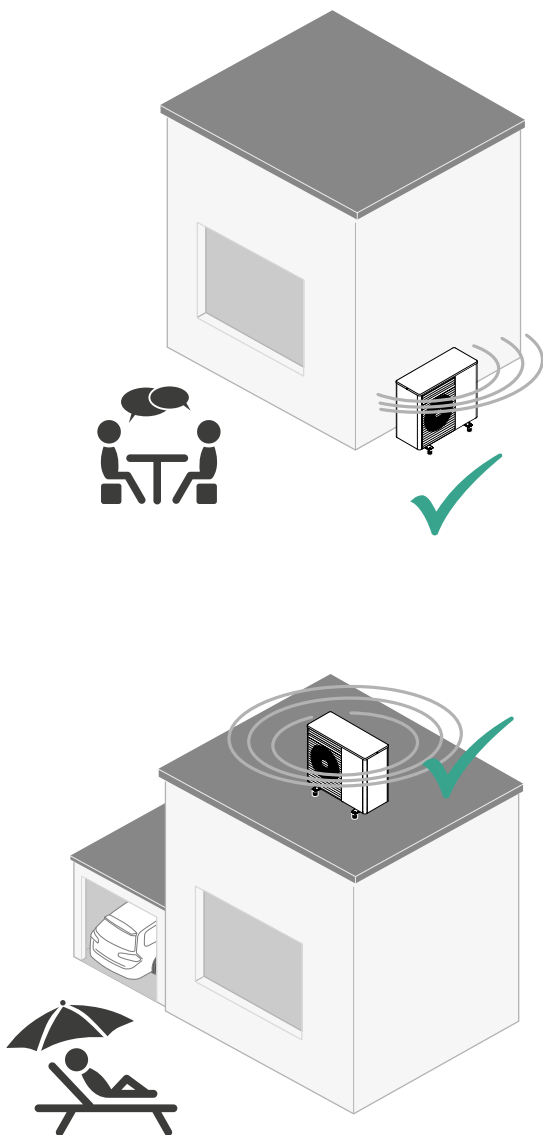
# Find the perfect space for your installation

## A quiet space for your installation

Whilst the aroTHERM plus has been accredited by Quiet Mark\* for it's super low noise levels. When siting pay consideration to bedroom windows and flat roof installations.

Do! 

Avoid 

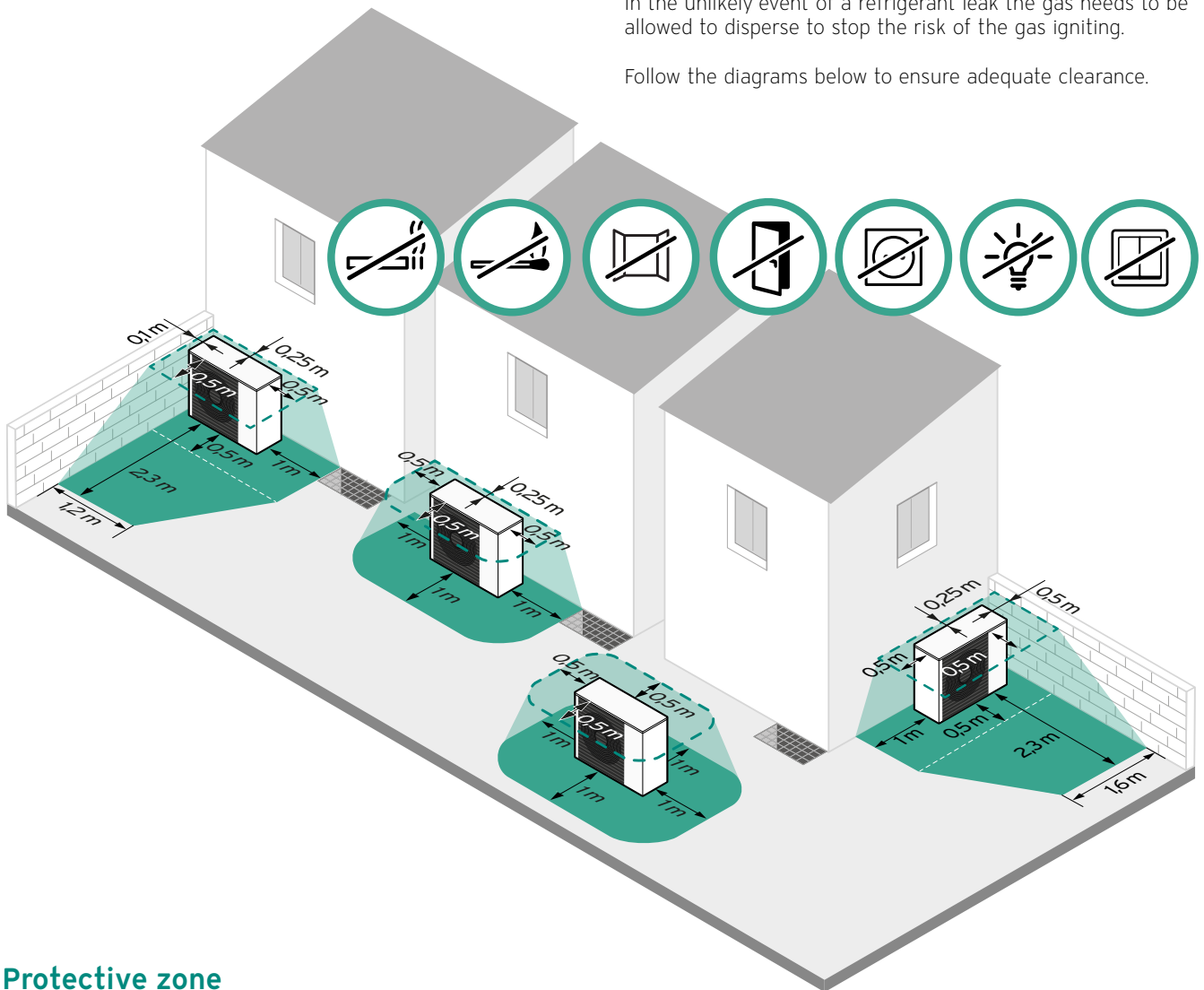


\*Models 3.5, 5, 7 and 12kW

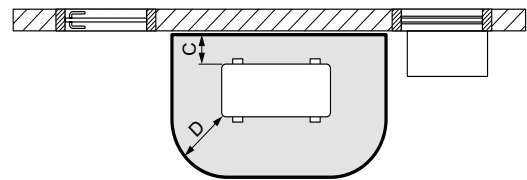
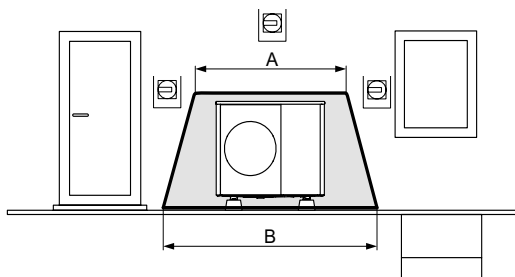
## Installation and R290 clearances

When placing the unit you must be aware of drains and openings.  
In the unlikely event of a refrigerant leak the gas needs to be allowed to disperse to stop the risk of the gas igniting.

Follow the diagrams below to ensure adequate clearance.



## Protective zone



There must be no ignition sources, such as plug sockets, lamps or rotary insulation switches in the protective zone.

Air vents to void areas and air tight drains can be within the protective zone.

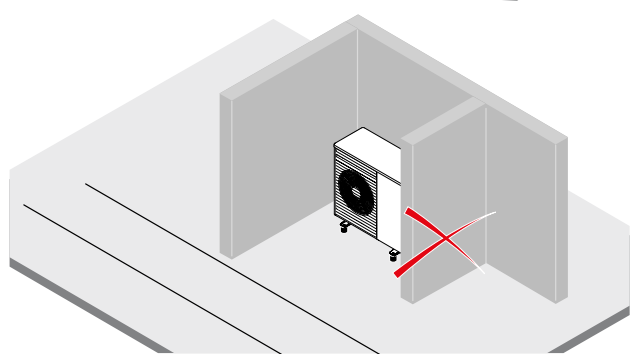
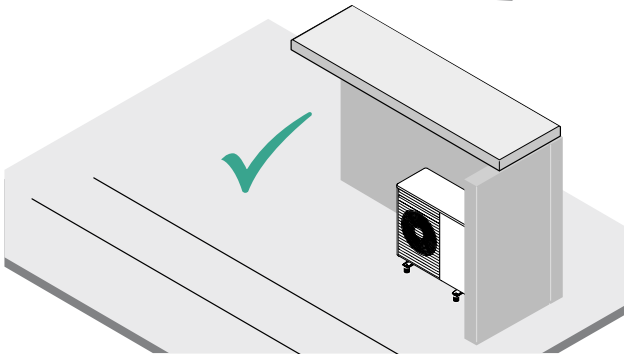
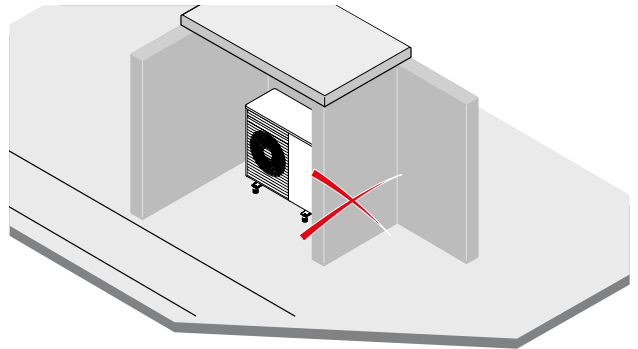
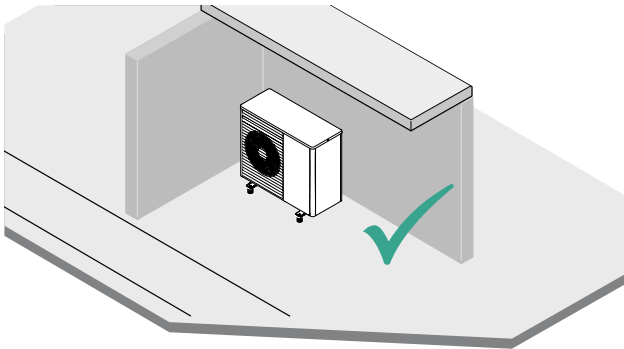
Minimum clearances	Unit	Dimension
A	mm	2100
B	mm	3100
C	mm	200/250
D	mm	1000



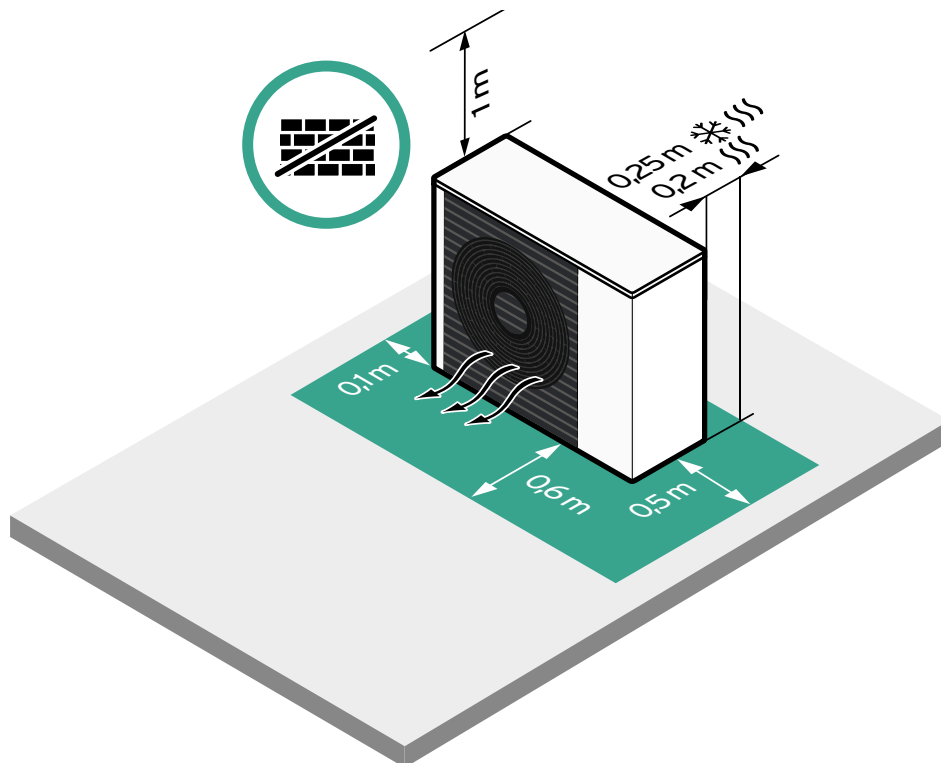
## A vented space for perfect operation

Do! 

Don't 

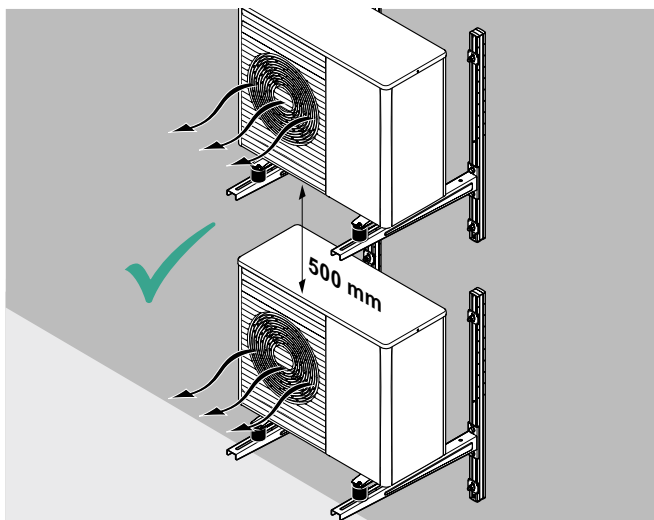
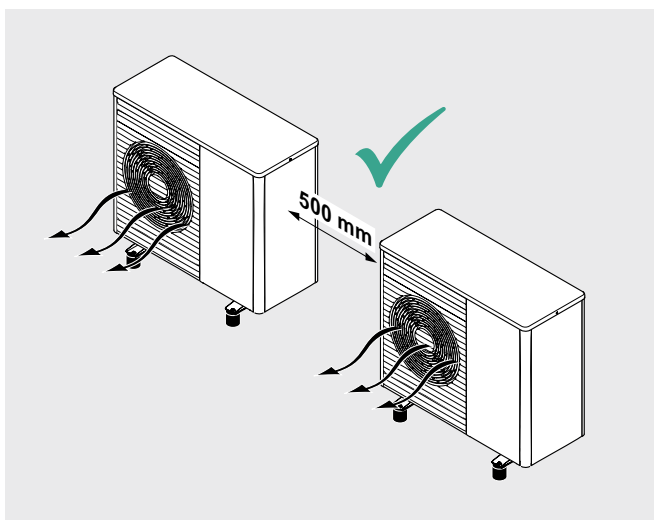


## Operation clearances

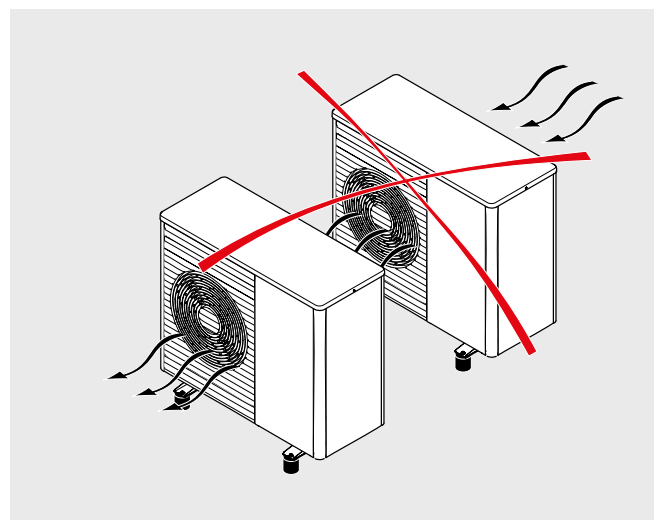
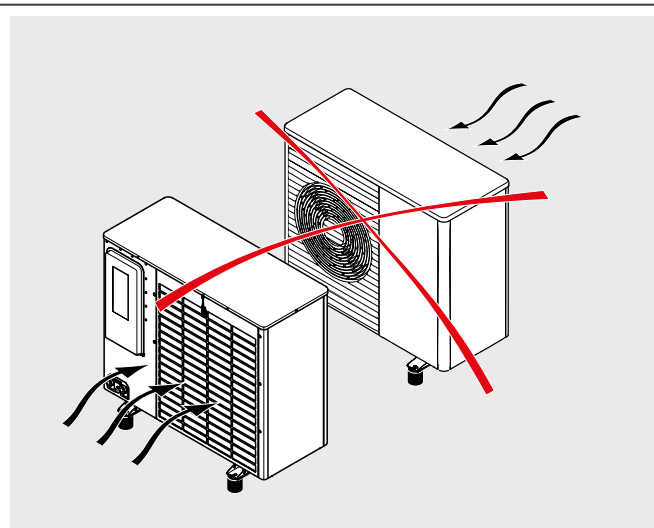


Install several aroTHERM plus in one spot: quiet, vented, safe!

Do! 



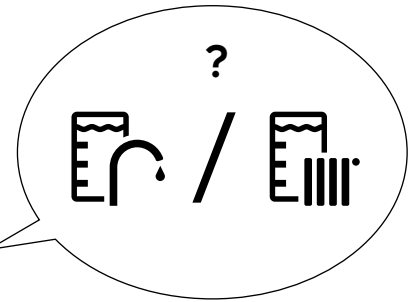
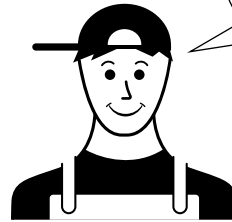
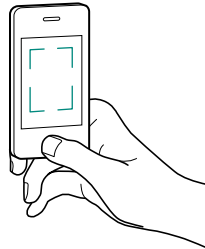
Don't 



## Select the perfect domestic hot water storage



Scan or click the QR-Code for DHW sizing



### Cylinder compatibility matrix

aroTHERM plus	uniSTOR 150 litre cylinder	uniSTOR 200 litre cylinder	uniSTOR 250 litre cylinder	uniSTOR 300 litre cylinder	uniSTOR 500 litre cylinder	auroSTOR 500 litre cylinder	uniSTOR 800 litre cylinder
3.5kW	✓	✓					
5kW	✓	✓	✓				
7kW	✓	✓	✓	✓			
10kW	✓	✓	✓	✓	✓	✓	
12kW		✓	✓	✓	✓	✓	✓

### uniSTOR Heat Pump pre-plumbed cylinder range

Storage temperature in cylinder	150*	200	250	300
	Amount of useable hot water at point of use (litres)			
50°C	200	267	333	400
55°C	225	300	375	450
60°C	250	333	417	500
65°C	275	367	458	550

\*150 litre slimline cylinder  
note: 40°C temperature at point of use

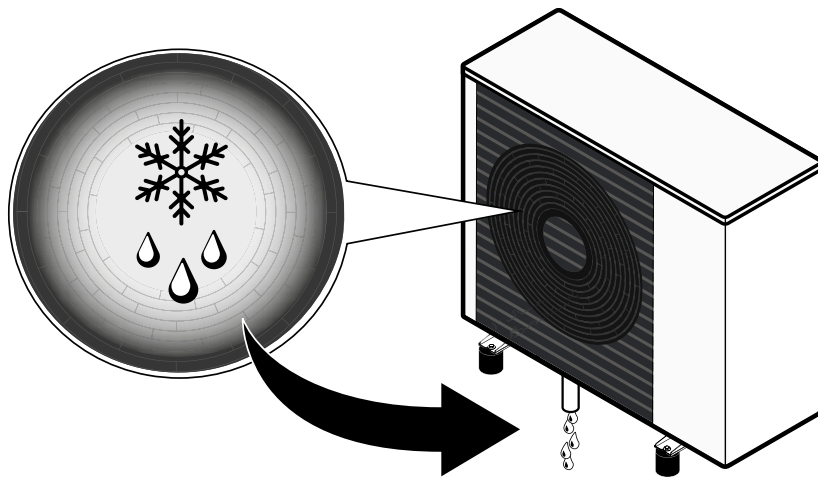
### uniSTOR Heat Pump standard cylinder range

Storage temperature in cylinder	150	200	250	300	500	800
	Amount of useable hot water at point of use (litres)					
50°C	200	267	333	400	667	1067
55°C	225	300	375	450	750	1200
60°C	250	333	417	500	833	1333
65°C	275	367	458	550	917	1467

note: 40°C temperature at point of use

## Minimum required buffer water volume for deicing

aroTHERM plus	Minimum open volume required
aroTHERM plus 3.5 and 5kW	15 litres
aroTHERM plus 7kW	20 litres
aroTHERM plus 10 and 12kW	45 litres



## System expansion vessel sizing

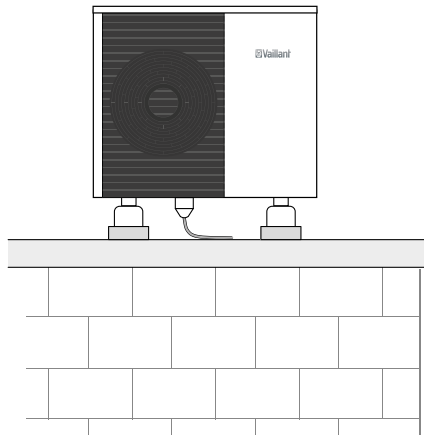
Scan the QR code to easily size the expansion vessel



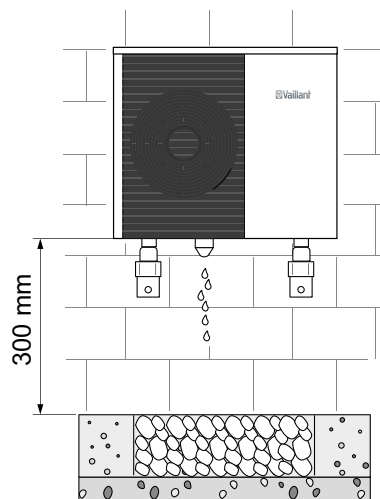
Scan or click the QR-Code for dimensions of the expansion vessel

## Decide on the installation type

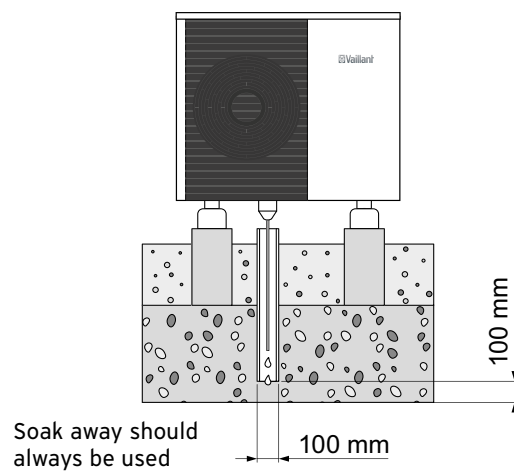
### On the roof ...



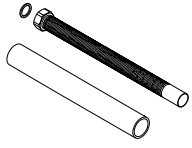
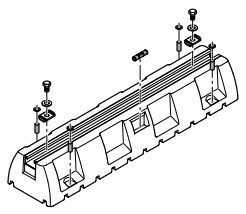
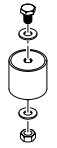
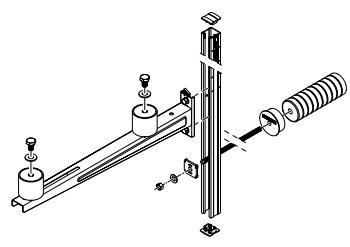
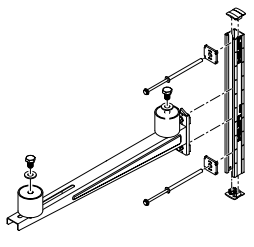
### On the wall ...



### On the ground ...



## Select mounting accessories

	Installation option	
	Ground/Roof	Wall
<b>Connection</b>		
<b>Plain</b>	<b>aroTHERM straight pipe connection kit</b> Art.-No.: 0010027976 	
<b>Mounting</b>		
<b>Simple</b>	<b>Anti-vibration feet large</b> Art.-No.: 0020250226 	<b>Anti-vibration rubber feet small</b> Art.-No.: 0020252091 
	<b>Wall brackets for insulated walls</b> Art.-No.: 0020250224 (excludes rubber feet) 	<b>Wall brackets for non-insulated walls</b> Art.-No.: 0020250225 (excludes rubber feet) 



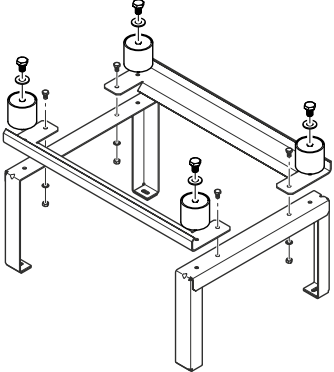
Please note that the wall brackets are only suitable for the 3.5kW, 5kW and 7kW models.

Click on Art.-No. for  
Installation instructions

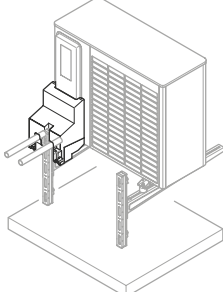


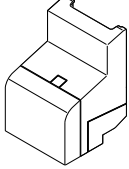
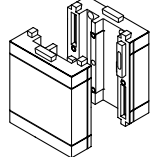
	Installation option	
	Ground/Roof	Wall

## Mounting

<p><b>Snow</b></p>	<p><b>Snow spacer</b> Art.-No.: 0010027984 (excludes rubber feet)</p> 	
--------------------	---	--

## Connections kits - piping and insulation

<p><b>Simple</b></p>	<p><b>Wall EPP insulation kit</b> Art.-No.: 0010027974 (includes short straight flexible hose)</p> 
----------------------	---

<p><b>Snow</b></p>	<p><b>Floor EPP insulation kit</b> Art.-No.: 0010027971 (includes short right angled flexible hose)</p>  <p><b>Floor EPP extension kit</b> Art.-No.: 0010027972</p> 	
--------------------	--	--

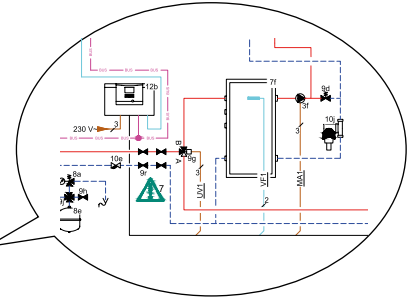
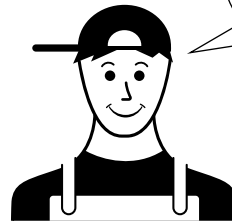
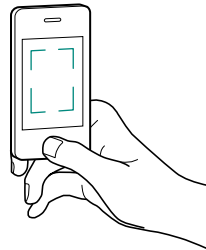
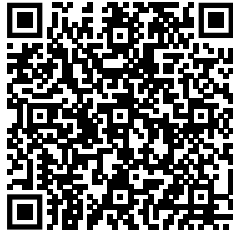
# Check your plan!

Tick your planning checklist 

- Heat pump chosen depending on the heating load calculation chosen
- Installation site planned (quiet, vented, safe)
- System temperatures chosen (underfloor, radiator, fan coil)
- Domestic hot water and buffer tank chosen
- Expansion vessel determined
- System schematic selected
- System components including accessories for installation ordered

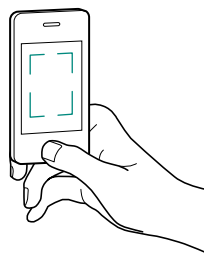


## Choose your system schematic....



Scan or click the QR-Code to download the aroTHERM plus schematics PDF

## Watch our installation videos....



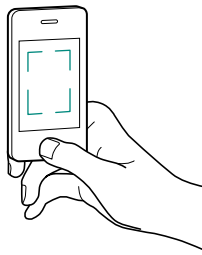
Scan or click QR-Code for installation video playlist



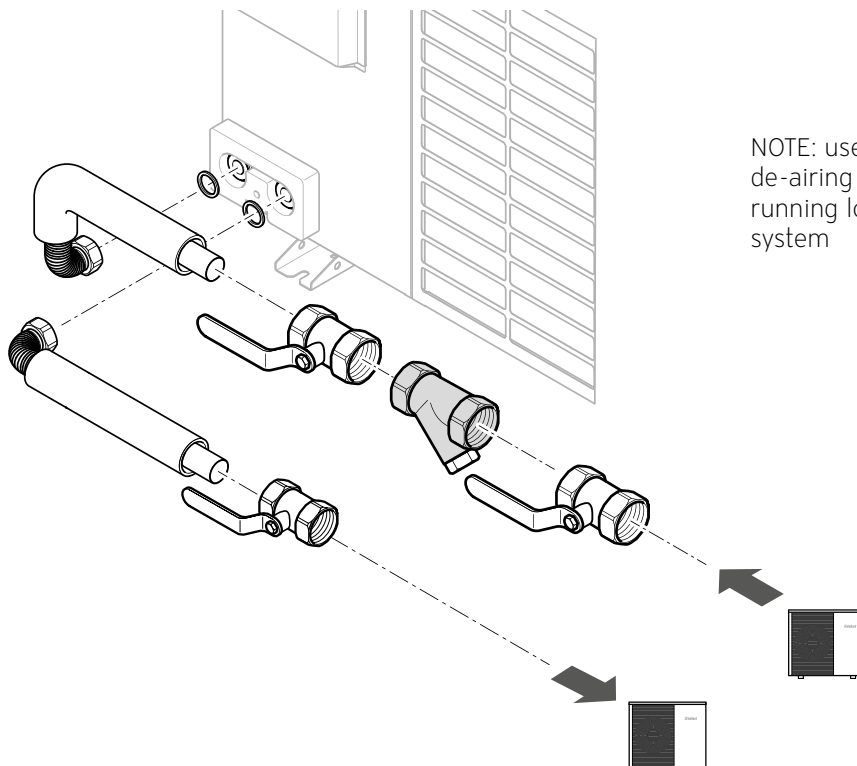
# ... work your plan

Installing the aroTHERM plus system.

Start with the hydraulic connection



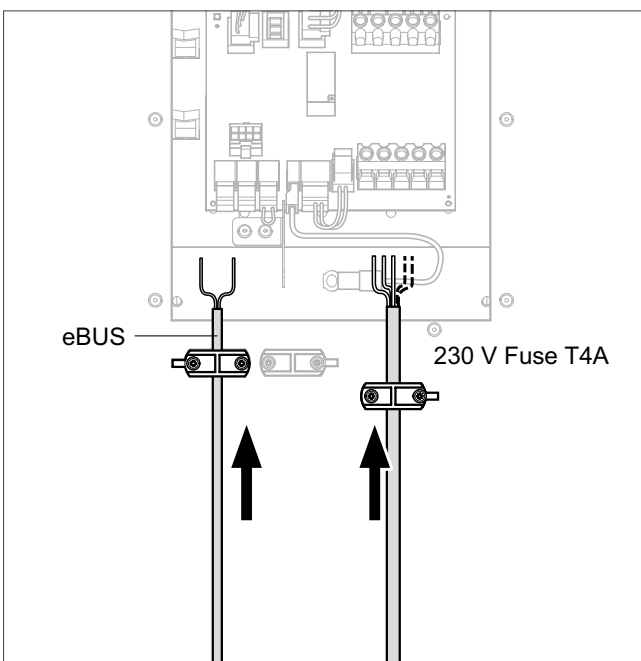
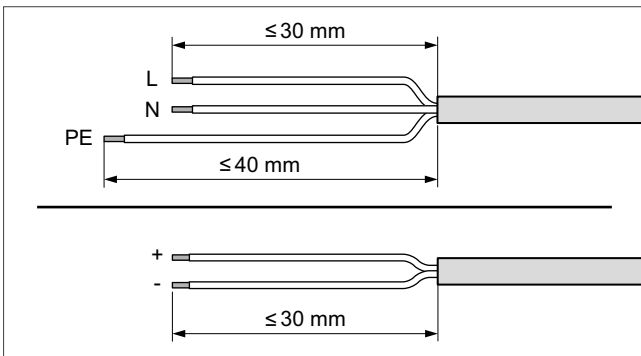
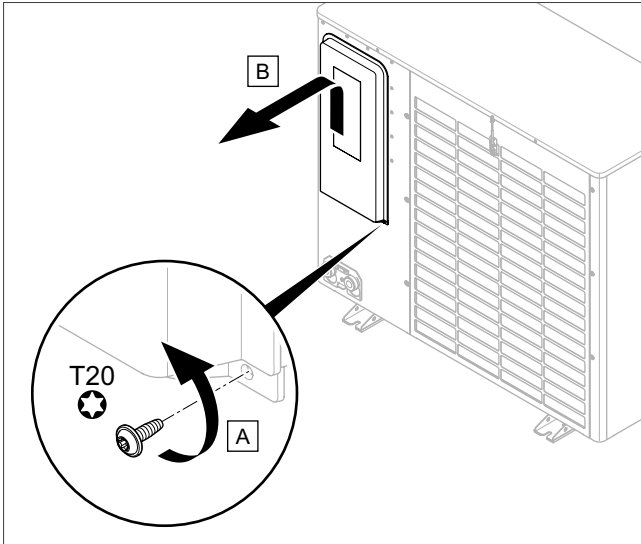
Scan or click QR-Code for installation video



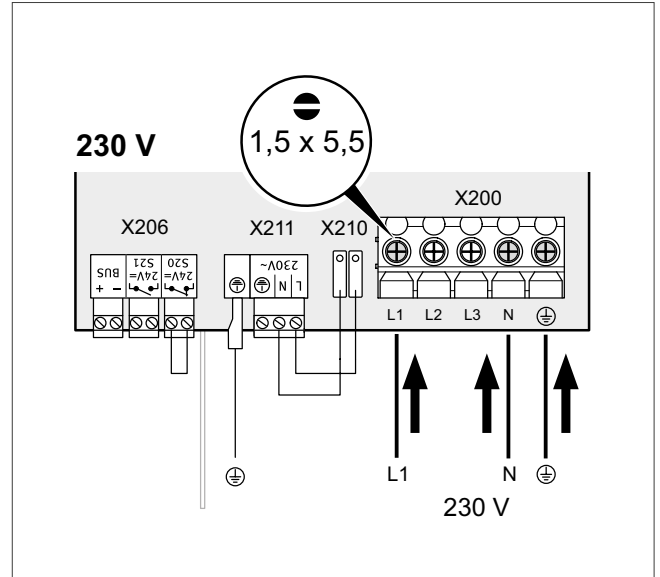
NOTE: use of system filter and de-airing is important for the long running low maintenance of the system

## Proceed to the power supply and eBUS connection

### Preparation

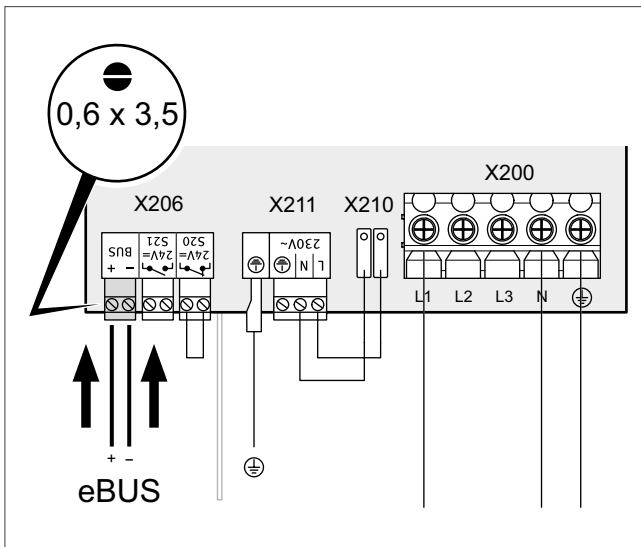


### Power supply connection (230 V)

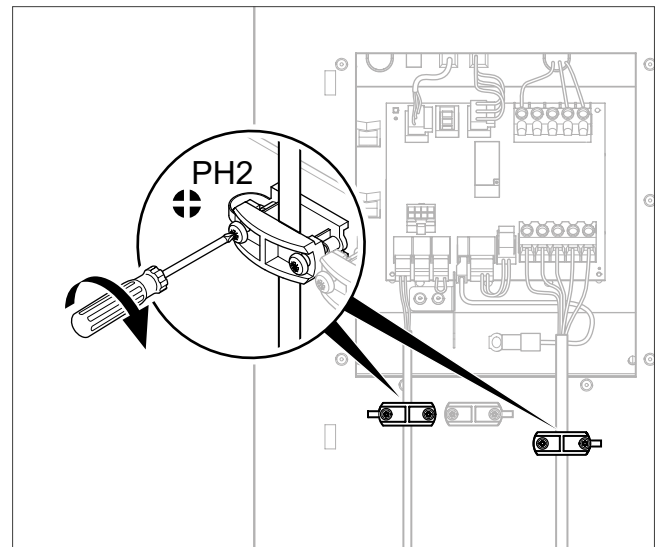


If possible e-bus and power cable must be run separately, if this is not possible the e-bus cable must be shielded to prevent voltage induction

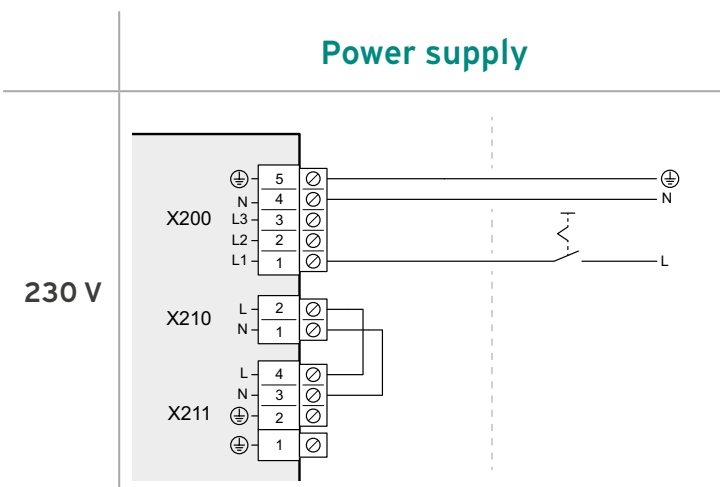
## eBUS connection



## Fasten cable strain reliefs



## Power supply



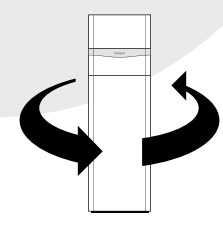
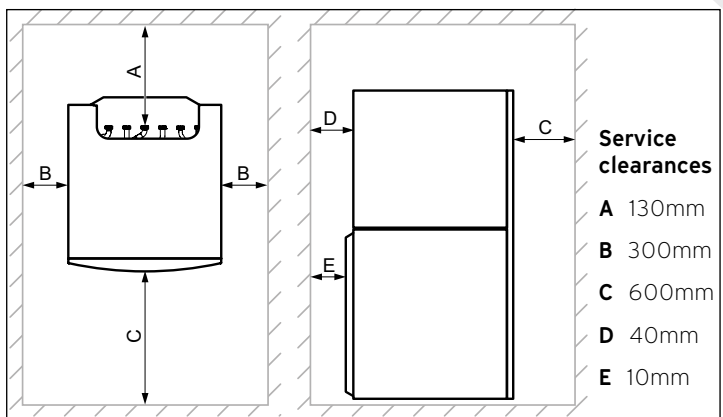
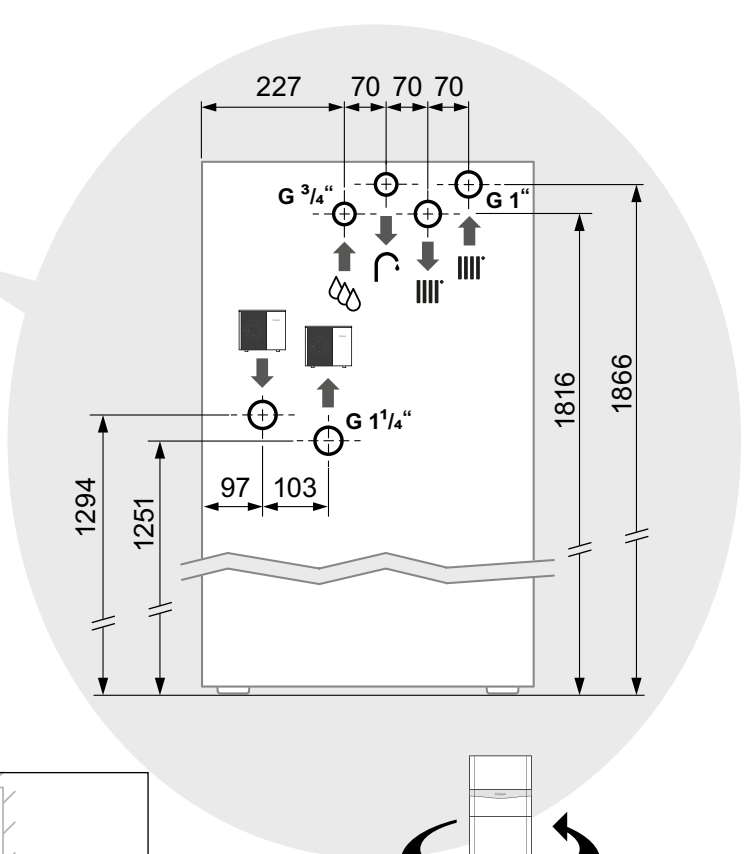
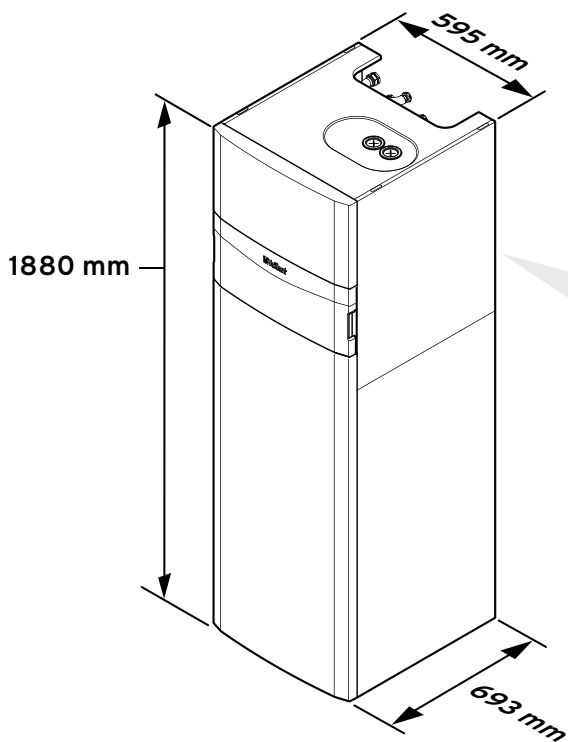
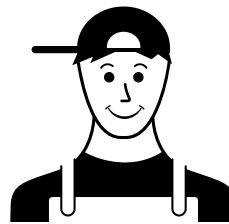
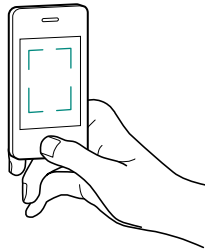
## Choose your indoor unit

### uniTOWER



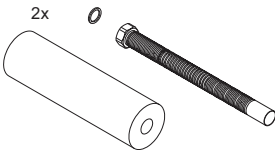
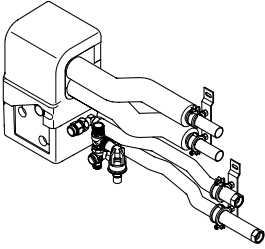
The uniTOWER is an integrated 190-litre cylinder with hydraulic components which can easily provide sufficient hot water for the needs of a family of five, including the use of rain showers.



Scan or click QR-Code for installation video

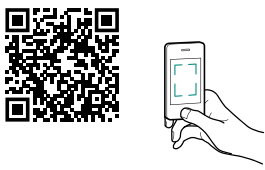
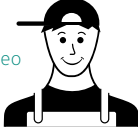
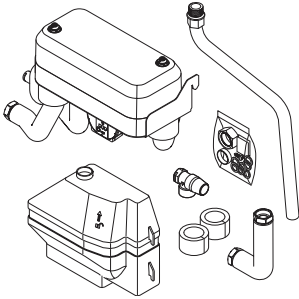
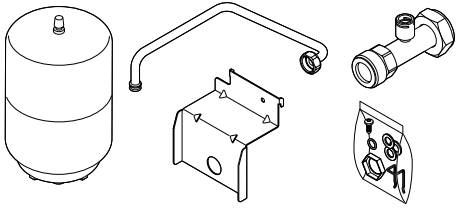


## Supplied hydraulic accessories for the uniTOWER

Connection ...	to heat pump	to heating circuit
 <p>Scan or click QR-Code for installation video</p> 	<p><b>uniTOWER connection kit (supplied with uniTOWER)</b> (HP circuit) Art.-No.: 0010027979</p> 	<p>On wall: <b>On wall connection set (supplied with uniTOWER)</b> (10 bar) Art.-No.: 0010027981</p> 



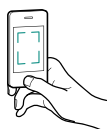
## Select optional hydraulic accessories for the uniTOWER

System separation		
 <p>Scan or click QR-Code for installation video</p> 	<p><b>uniTOWER heat exchanger module (supplied with a single zone pump)</b> Art.-No.: 0010027982 for the 3.5, 5 and 7kW Art.-No.: 0010027973 for the 10 and 12kW</p> 	<p><b>Brine expansion vessel</b> Art.-No.: 0010030975</p> 

Click on Art.-No. for installation instructions



## Additional system components

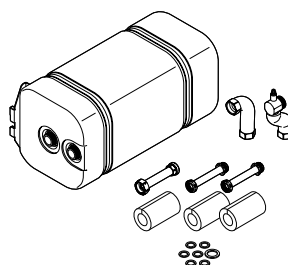


Scan or click QR-Code for installation video



### 18l Buffer tank for uniTOWER

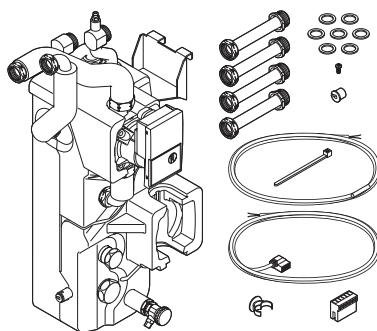
Art.-No.: 0020269273



## Additional system components

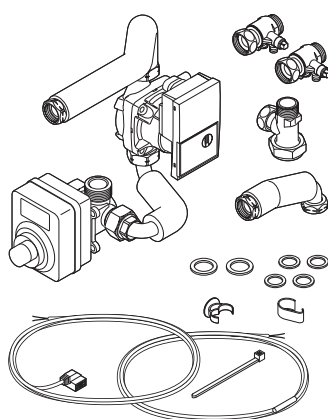
### uniTOWER multizone kits

Art.-No.: 0020170507

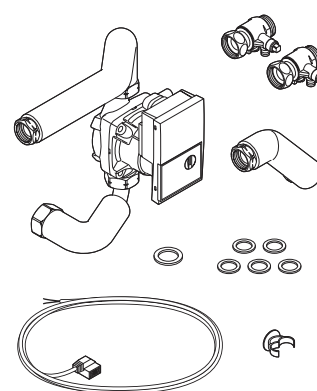


Single heating zone	Single zone heating with low loss header	1 direct and one mixed heating zone (radiators and underfloor)	2 direct heating zones 2 radiator zones
No accessories required	0020170507	0020170507 + 0020170508	0020170507 + 0020170509

Art.-No.: 0020170508



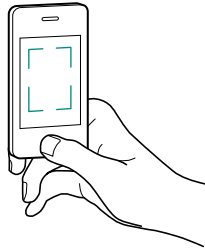
Art.-No.: 0020170509



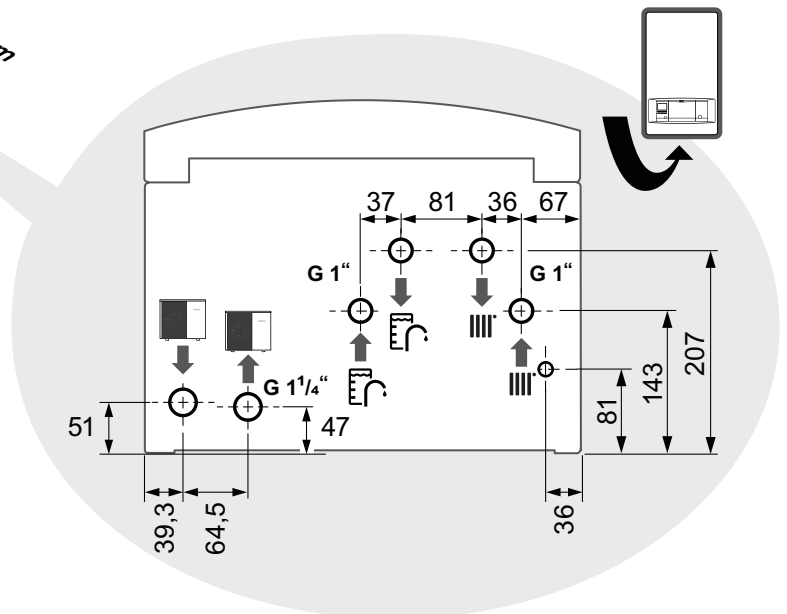
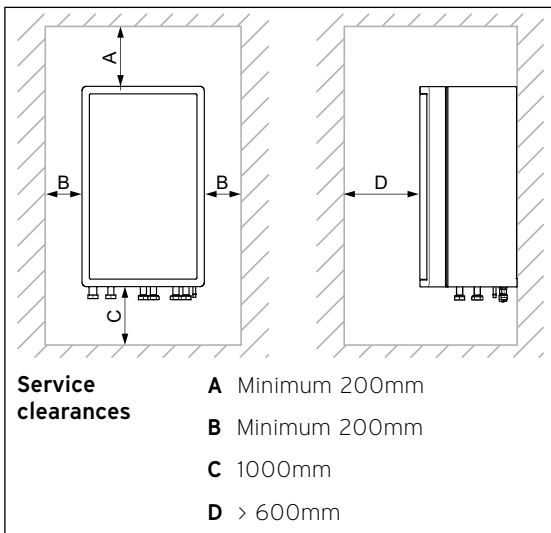
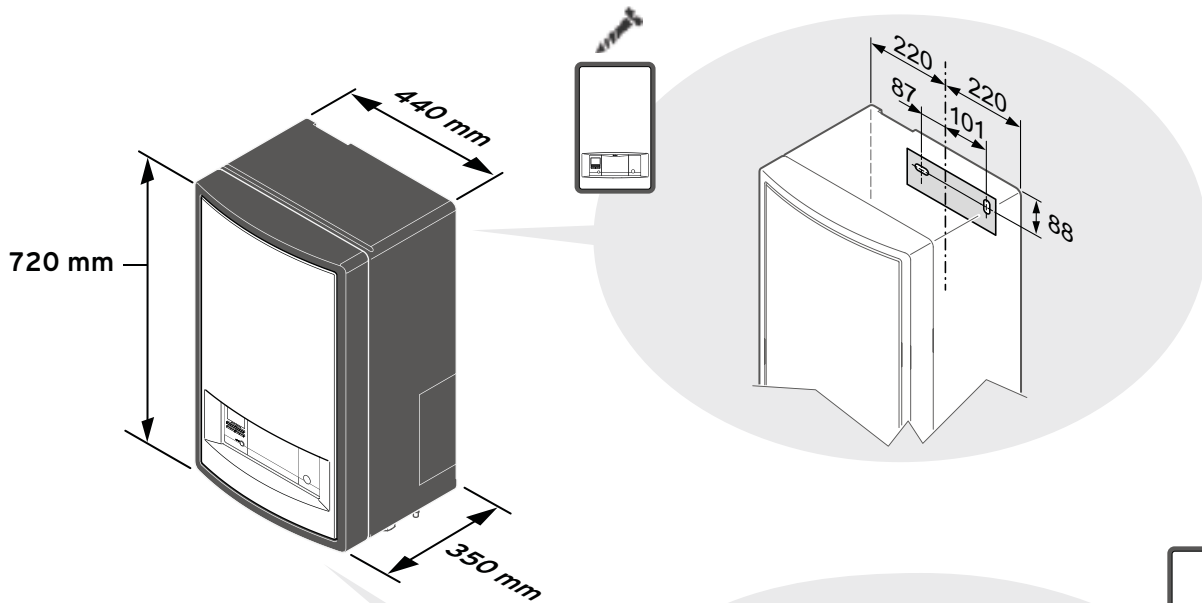
**Important note:** you can use the 18l buffer OR the multizone kits as they fit in the same space at the rear of the uniTOWER

## Hydraulic module

In the case of higher hot water demand, the aroTHERM plus can be used together with a wall-mounted hydraulic station and a wide range of accessories, including the uniSTOR heat pump cylinders and buffer tanks.



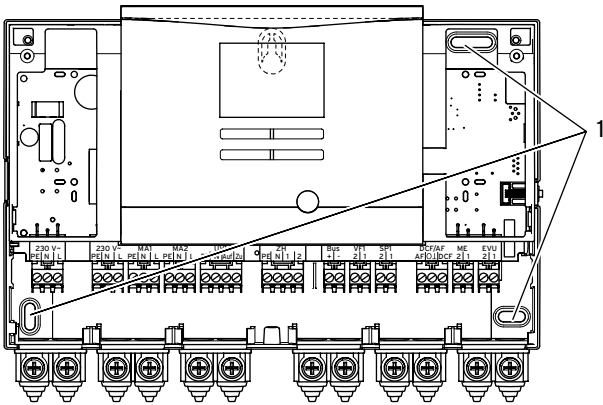
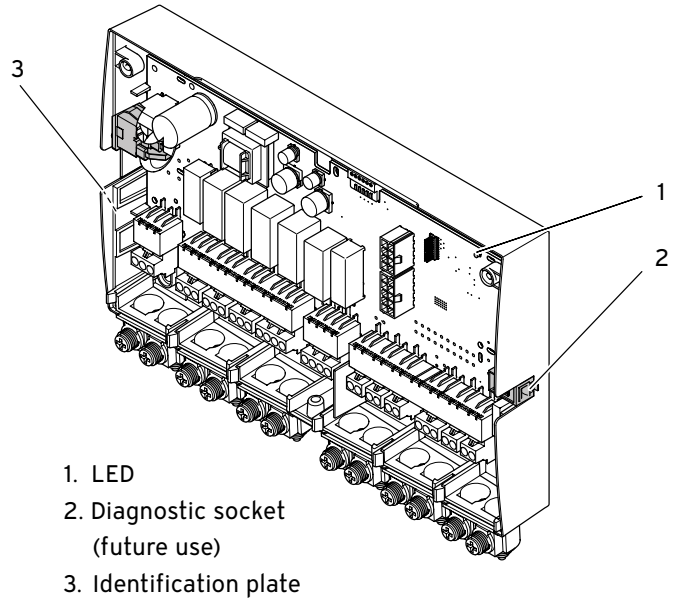
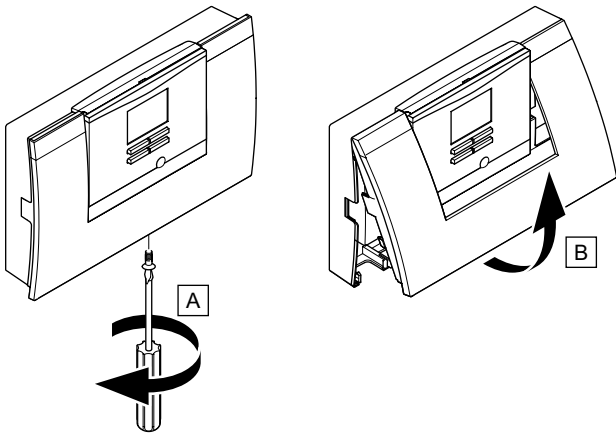
Scan or click QR-Code for installation video



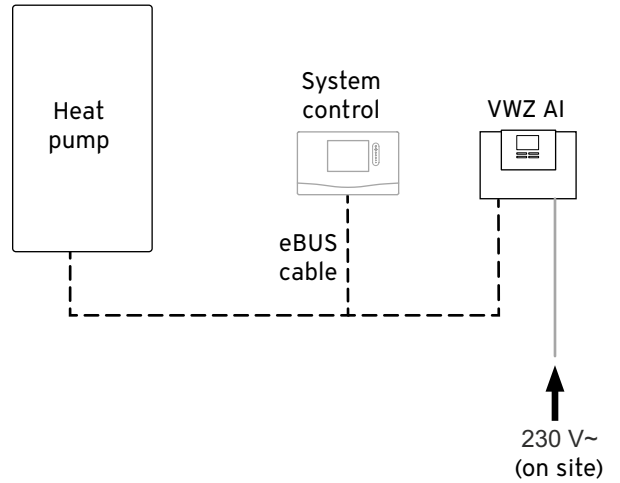


## Heat pump interface (VWZ AI)

For more bespoke systems where the hydraulic module and the unitOWER are unsuitable, the heat pump interface must be fitted with all the hydraulic components installed separately.

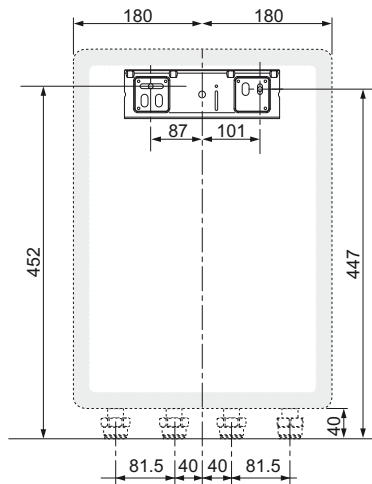
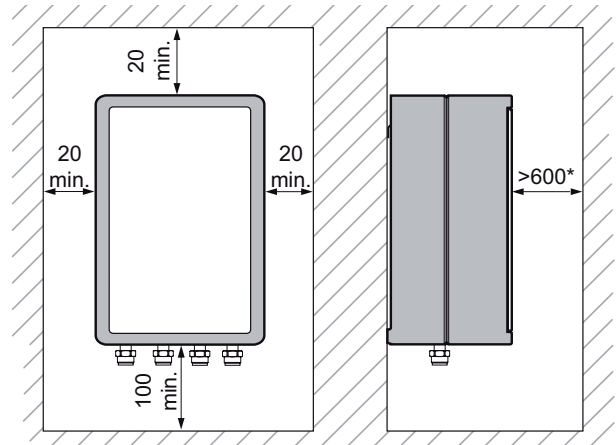
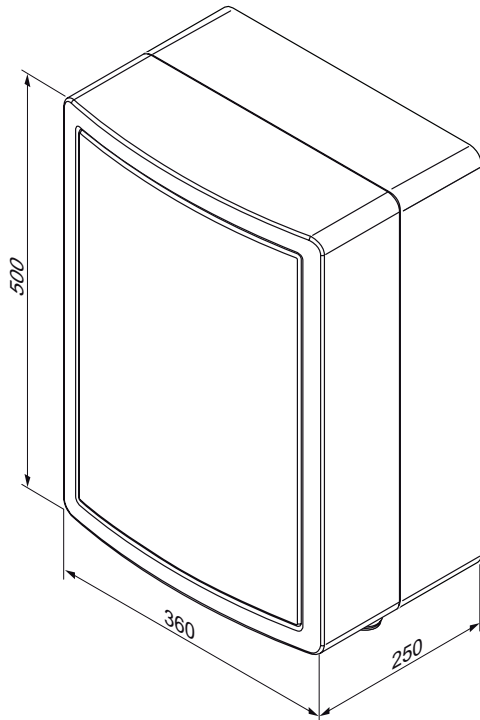


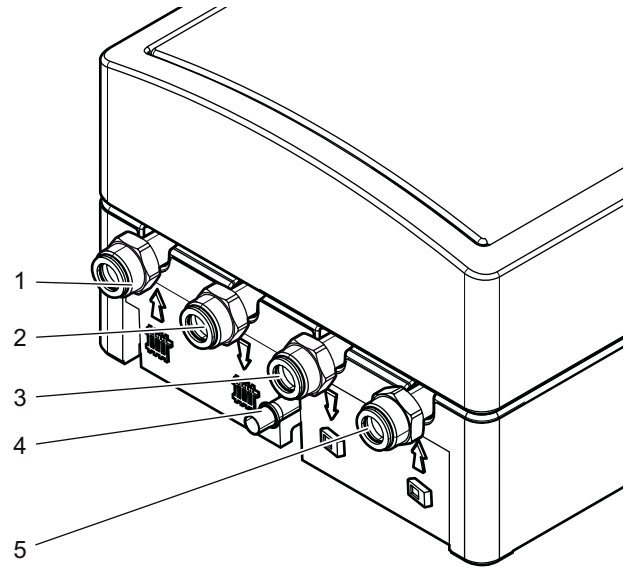
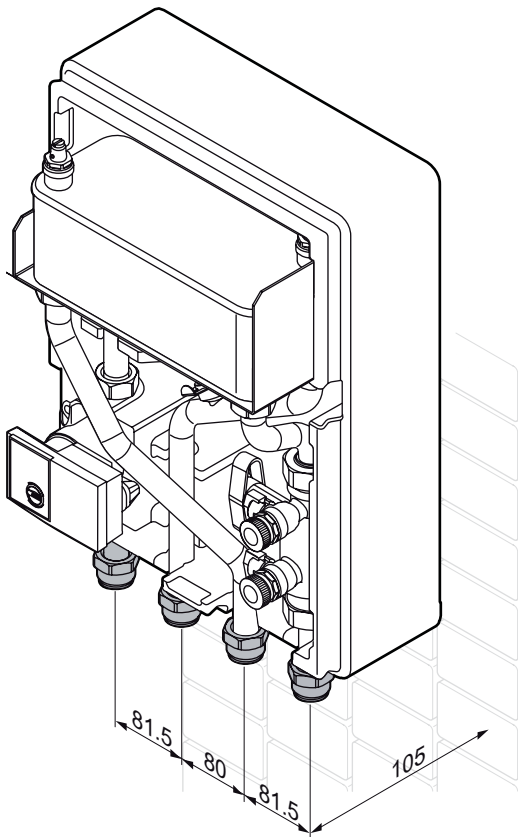
1. Fixing points



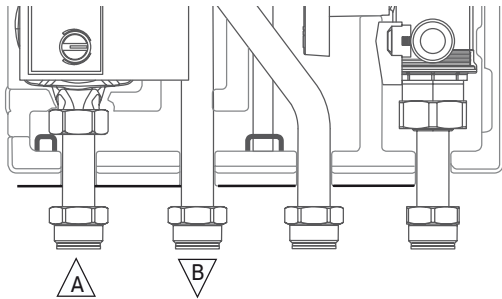
## Connect the system accessories

### Install the heat exchanger module (not for use with uniTOWER)

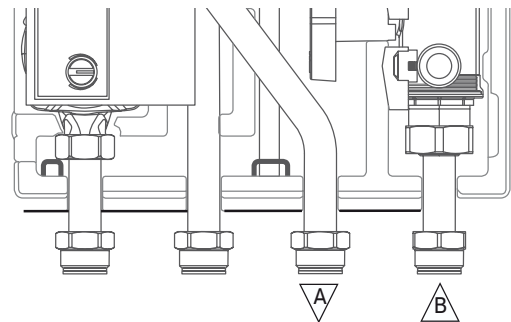




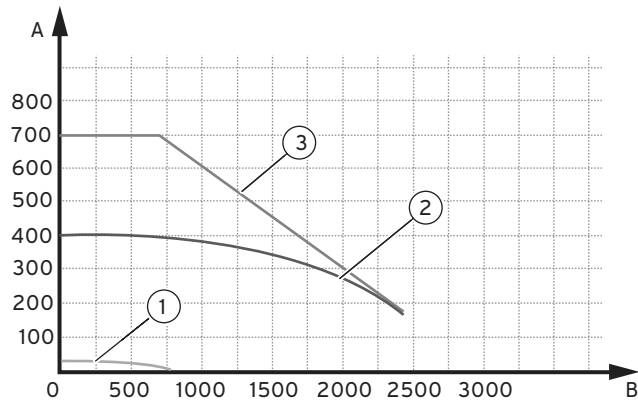
- 1 Installation heating circuit inlet 1"
- 2 Installation heating circuit outlet 1"
- 3 Glycol water circuit outlet to heat pump 1"
- 4 Safety valve drain
- 5 Glycol water circuit inlet from heat pump 1"



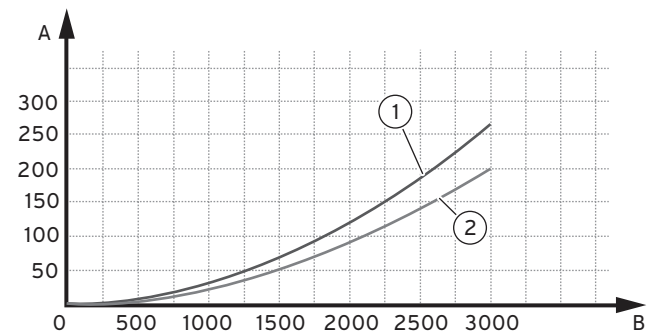
A Installation heating circuit flow      B Installation heating circuit flow



A Glycol water circuit flow to heat pump      B Glycol water circuit return from heat pump

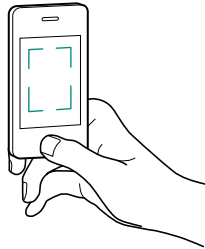


A Pressure (mbar)      2 Position "II"  
 B Flow rate (l/hour)      3 Position "I"  
 1 Position "III"

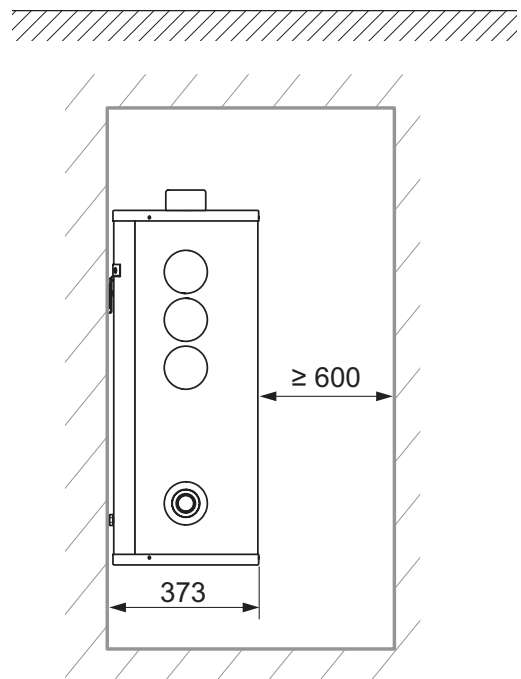
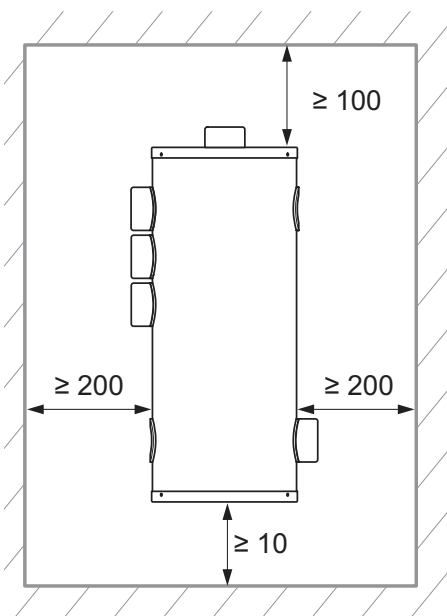
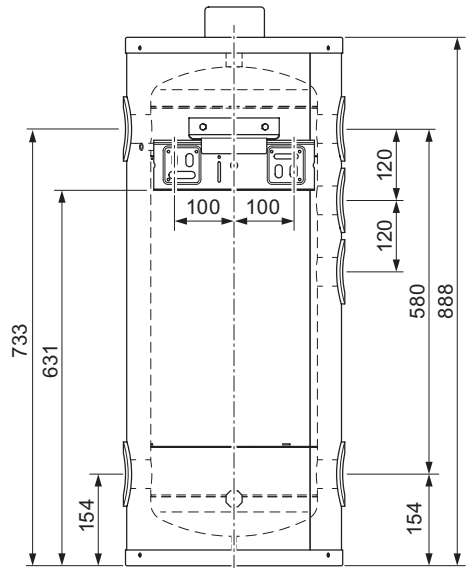
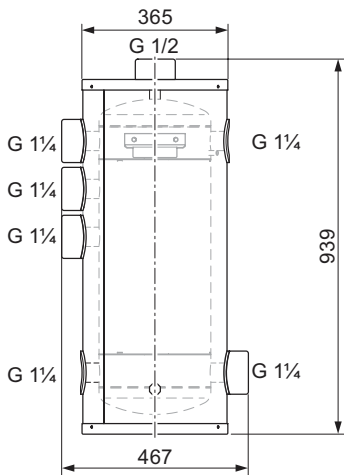


A Pressure (mbar)      1 50% glycol circuit flow rate  
 B Flow rate (l/hour)      2 Water circuit flow rate

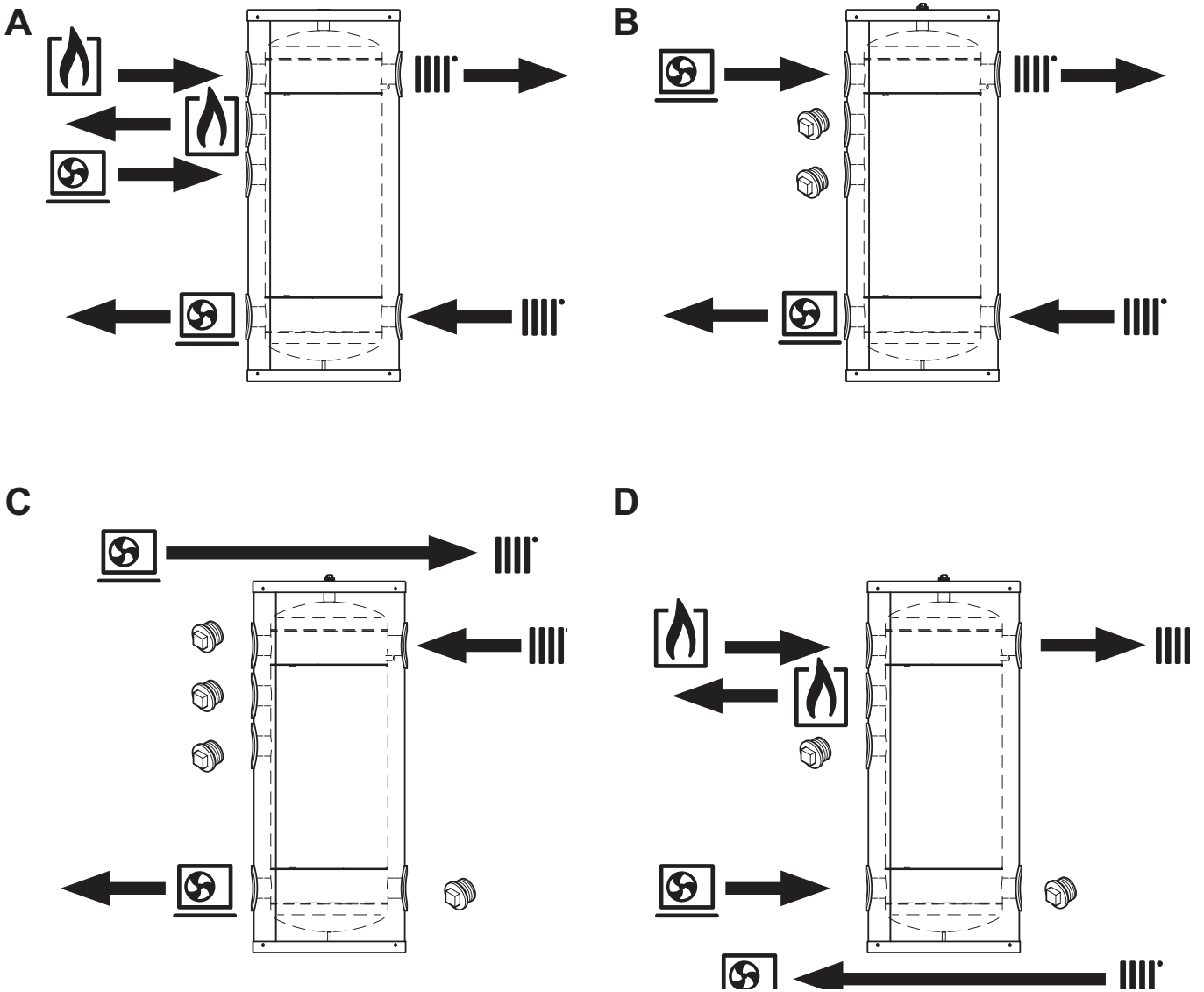
# Installing the 45 litre buffer tank



Scan or click QR-Code for the quick guide



## Flow and return system options



# Check your installation!

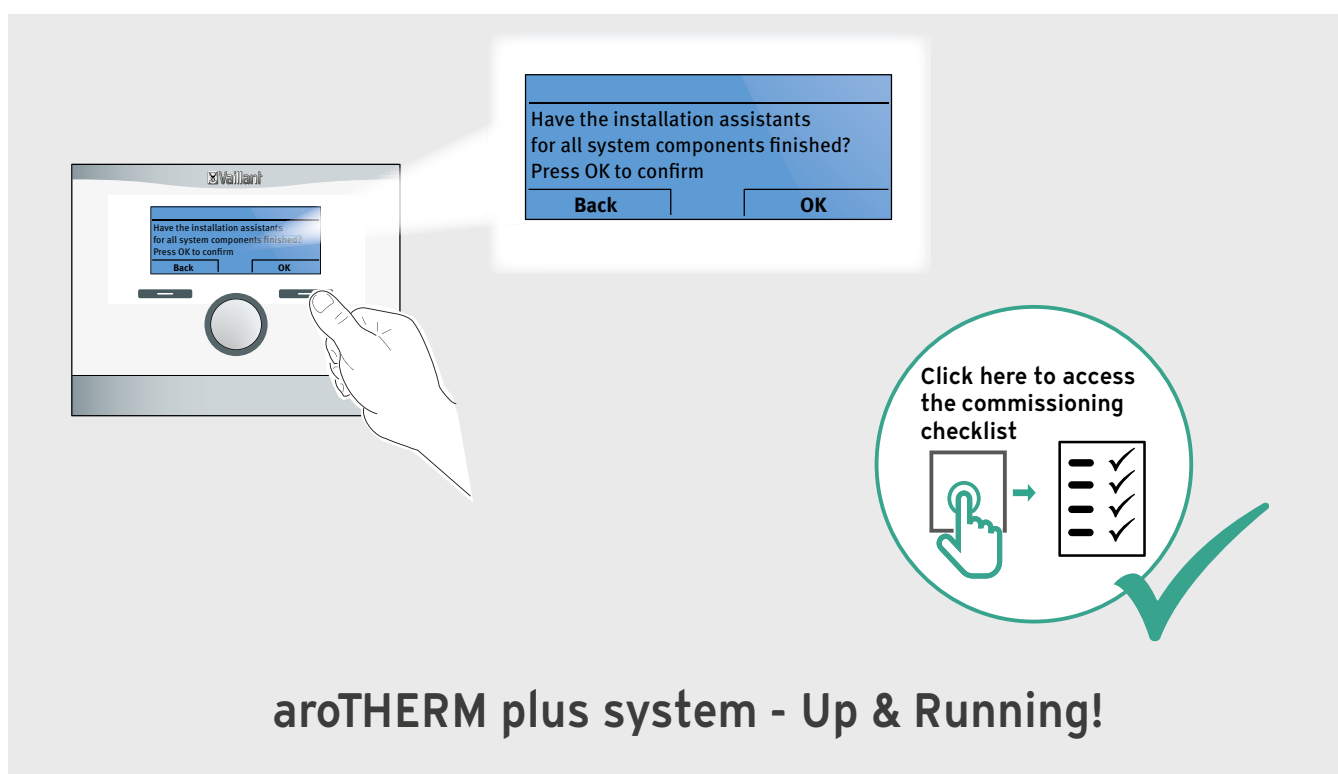
Tick your installation checklist



- Heat pump positioned according to type of installation (ground, wall, roof)
- Dirt filter installed in the return
- Safety valve installed
- Expansion vessel installed and connected
- Filling loop and pressure gauge installed
- All valves installed in system
- Hydraulic connected and tight (pressure test performed)
- Wiring connection done
- Heating system vented
- Optional: Warranty extension/ maintenance and service contract signed

# ... and start your System

Simply follow the instructions of the installation assistant on the aroTHERM plus system controller ...



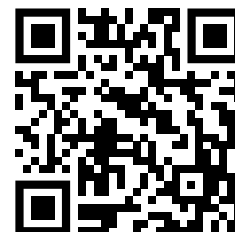
## Just in case ...

Find remedies to error, status and maintenance codes

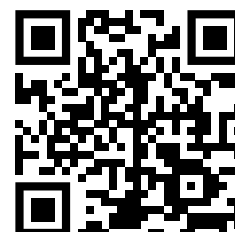


Scan or click QR-Code to find remedies

VRC 700 simulator



sensocomfort simulator



## Technical Data

aroTHERM plus	Unit	3.5kW VWL 35 / 6	5kW VWL 55 / 6	7kW VWL 75 / 6	10kW VWL 105 / 6	12kW VWL 125 / 6
<b>General</b>						
Width	mm	1,100				
Height	mm	765		965	1,565	
Depth	mm	450				
Weight, ready for operation	kg	114		128	194	
Connection, heating circuit		G 1 1/4"				
Rated voltage	V	230 V (+10%/- 15%), 50 Hz, 1~/N/PE				
Rated current, maximum	A	14.3		15.0	23.3	
Fuse size		16			25	
Fuse type	A	C/D				
RCD type		A				
eBUS (2-core communication cable)	mm <sup>2</sup>	0.75				
Maximum length eBUS cable (communication cable)	m	50				
IP rating		IP 15 B				
Fan, power consumption	W	40			50	
Fan quantity		1			2	
Fan, air flow , maximum	m <sup>3</sup> /h	2,300			5,100	
Heating pump, power consumption	W	2 - 50			3 - 87	
<b>Heating circuit</b>						
Heating water temperature, minimum/maximum	° C	20 - 75				
Basic length of the heating water pipe, maximum, between the outdoor unit and indoor unit	m	20				
Operating pressure, minimum	bar	0.50				
Operating pressure, maximum	bar	3.00				
Volume flow, minimum	l/h	400		540	995	
Volume flow, maximum	l/h	860		1,205	2,065	
Water volume, in the outdoor unit	l	1.5		2.0	2.5	
Minimum open water volume	l	15		20	45	
Remaining feed pressure, hydraulic	kPa (mbar)	56.0 (560.0)		44.0 (440.0)	55.0 (550.0)	

Download our technical specification brochure here





aroTHERM plus	Unit	3.5kW VWL 35 / 6	5kW VWL 55 / 6	7kW VWL 75 / 6	10kW VWL 105 / 6	12kW VWL 125 / 6
<b>Refrigerant circuit</b>						
Fluid type		R290				
Fluid fill quantity	kg	0.6		0.9		1.3
Refrigerant, Global Warming Potential (GWP)		3				
CO <sub>2</sub> equivalent	t	0.0018		0.0027		0.0039
Permissible operating pressure	bar	31.5				
Compressor type		Rotary piston			Scroll compressor	
Compressor oil type		Specific polyalkylene glycol (PAG)				
Compressor, control		Electronic				

<b>Noise emissions, heating mode</b>						
Sound power, EN 12102, EN 14511 LWA, A7/W35	dB(A)	51		53		58
Sound power, EN 12102, EN 14511 LWA, A7/W45	dB(A)	53				58
Sound power, EN 12102, EN 14511 LWA, A7/W55	dB(A)	54		55		60

<b>Efficiency</b>						
Energy efficiency class 35°C	(A+++ to F)	A+++				
Energy efficiency class 55°C	(A+++ to F)	A++				

<b>Combination with uniTOWER</b>						
Energy efficiency class	(A+++ to F)	A++				
Energy efficiency class for hot water supply	(A+ to F)	A				

uniTOWER	Unit	VIH QW 190 / 6
Total storage cylinder capacity	l	188
Temperature hot water (max. – with auxiliary heating)	°C	55 - 75
Dimensions, unpacked (height/width/depth)	mm	1880 x 599 x 693
Weight, unpacked	kg	175
Auxiliary electric heater	kW	6kW (230V/50Hz) / 9kW (400V/50Hz)

Hydraulic station	Unit	VWZ MEH 97
Dimensions, unpacked (height/width/depth)	mm	720 x 440 x 350
Weight, unpacked	kg	15
Power electric backup heater	kW	6 kW (230V/50Hz) / 9 kW (400V/50Hz)

## Accessories

Description	Article number
<b>aroTHERM plus with heat pump interface</b>	
aroTHERM plus 3.5kW - VWL 35 / 6	0010037211
aroTHERM plus 5kW - VWL 55 / 6	0010037212
aroTHERM plus 7kW - VWL 75 / 6	0010037213
aroTHERM plus 10kW - VWL 105 / 6	0010037214
aroTHERM plus 12kW - VWL 125 / 6	0010037215
<b>aroTHERM plus with hydraulic module</b>	
aroTHERM plus 3.5kW - VWL 35 / 6	0010037206
aroTHERM plus 5kW - VWL 55 / 6	0010037207
aroTHERM plus 7kW - VWL 75 / 6	0010037208
aroTHERM plus 10kW - VWL 105 / 6	0010037209
aroTHERM plus 12kW - VWL 125 / 6	0010037210
<b>aroTHERM plus with uniTOWER</b>	
aroTHERM plus 3.5kW - VWL 35 / 6	0010037201
aroTHERM plus 5kW - VWL 55 / 6	0010037202
aroTHERM plus 7kW - VWL 75 / 6	0010037203
aroTHERM plus 10kW - VWL 105 / 6	0010037204
aroTHERM plus 12kW - VWL 125 / 6	0010037205
<b>uniSTOR cylinders</b>	
150 litre pre-plumbed slimline uniSTOR	0020237129
200 litre pre-plumbed uniSTOR	0020237130
250 litre pre-plumbed uniSTOR	0020237131
300 litre pre-plumbed uniSTOR	0020237132
150 litre standard uniSTOR	0020235271
200 litre standard uniSTOR	0020235272
250 litre standard uniSTOR	0020235273
300 litre standard uniSTOR	0020235274
500 litre large capacity uniSTOR	0010019228
800 litre large capacity uniSTOR	0010019229
500 litre large capacity auroSTOR*	0010019234

\*One unvented kit and expansion vessel required with each cylinder.

Accessories	Article number
aroTHERM connection kit for ground install	0010027971
aroTHERM connection kit for ground install extension	0010027972
aroTHERM connection kit for wall install	0010027974
aroTHERM straight pipe connection kit	0010027976
750mm flexihose for air-to-water heat pump (pair)	0020165288
Snow Spacer	0010027984
Wall bracket for insulated wall	0020250224
Wall bracket for non-insulated wall	0020250225
Anti-vibration feet large	0020250226
Anti-vibration rubber feet small	0020252091
Coding resistor active cooling	0020269259
Discharge vessel	0020145563
aroTHERM 45 litre buffer	0010038365
aroTHERM heat exchanger module	0020222285
aroTHERM inline 6kW back-up heater	0020222286
VR 10 temperature sensor	306787
WH40 low-loss header (flow rates up to 3,000 litres per hour)	306720
WH95 low-loss header (flow rates up to 8,000 litres per hour)	306721
VR 32/B eBUS coupler (includes housing)	0020235465
VR 32 eBUS coupler	0020139895
Ball filter valve 28mm	0010038133
<b>uniTOWER accessories</b>	
uniTOWER decoupling module (small) for 3.5 - 7kW model	0010027982
uniTOWER decoupling module (large) for 10 and 12kW model	0010027973
uniTOWER 1" adapter connection kit	0020269275
18l Buffer cylinder for uniTOWER	0020269273
uniTOWER multi-zone kit - 1 direct zone	0020170507
uniTOWER extension set - 2 direct zones	0020170509
uniTOWER extension set - 1 mixed zone	0020170508
Circulation set without pump	0020170502
Circulation set with pump	0020170503
2l brine expansion vessel	0010030975
uniTOWER connection kit (supplied with uniTOWER) (HP circuit)	0010027979
On wall connection set (supplied with uniTOWER) (10 bar)	0010027981

Description	Pack contents	Article number
<b>VRC 700</b>		
VRC 700 wired, weather compensating programmable room thermostat	-	0020236291
VRC 700f wireless, weather compensating, programmable room thermostat	-	0020259829
One wired heating zone and hot water system	VRC 700, VR 70	0020236292
One wireless heating zone and hot water system	VRC 700f, VR 70	0020259830
One wired heating zone and solar thermal hot water system	VRC 700, VR 70, VR 11	0020236295
One wireless heating zone and solar thermal hot water system	VRC 700f, VR 70, VR 11	0020259833
Two wired heating zones and hot water system	VRC 700, VR 70, VR 91	0020236293
Two wireless heating zones and hot water system	VRC 700f, VR 70, VR 91f	0020259831
Two wired heating zones and solar thermal hot water system	VRC 700, VR 70, VR 11, VR 91	0020259834
Two wireless heating zones and solar thermal hot water system	VRC 700f, VR 70, VR 11, VR 91f	0020259835
Three wired heating zones and hot water system	VRC 700, VR 71, two VR 91	0020236294
Three wireless heating zones and hot water system	VRC 700f, VR 71, two VR 91f	0020259832
VR 70 wiring centre for up to two zones	-	0020184844
VR 71 wiring centre for up to three zones	-	0020184847
VR 91 wired, additional room thermostat	-	0020171334
VR 91f wireless, additional room thermostat	-	0020231566
VR 40 two-in-seven multifunction module	-	0020017744
VR 11 solar collector NTC	-	306788
VR 10 immersion or contact sensor bare ends	-	306787
VR 32 eBUS coupler	-	0020139895

Description	Pack contents	Article number
<b>sensoCOMFORT</b>		
sensoCOMFORT wired weather compensating programmable room thermostat	-	0010036819
sensoCOMFORT RF wireless weather compensating programmable room thermostat	-	0010036820
One wired heating zone and hot water system	sensoCOMFORT, VR 71	0010036821
One wireless heating zone and hot water system	sensoCOMFORT RF, VR 71	0010036826
Two wired heating zones and hot water system	sensoCOMFORT, VR 71, VR 92	0010036822
Two wireless heating zones and hot water system	sensoCOMFORT RF, VR 71, VR 92f	0010036827
Three wired heating zones and hot water system	sensoCOMFORT, VR 71, 2x VR 92	0010036823
Three wireless heating zones and hot water system	sensoCOMFORT RF, VR 71 and 2x VR 92f	0010036828
Four wired heating zones and hot water system	sensoCOMFORT, VR 71, VR 70, 3x VR 92	0010036824
Five wired heating zones and hot water system	sensoCOMFORT, VR 71, VR 70, 4x VR 92	0010036825
VR 10 immersion or contact sensor bare ends	-	306787
VR 32 eBUS coupler	-	0020139895
VR 70 wiring centre	-	0020184844
VR 71 wiring centre	-	0020184847
VR 92 wired additional room thermostat	-	0020260925
VR 92f wireless additional room thermostat	-	0020260940
sensoNET internet gateway	-	0020260963
VR 40 two-in-seven multifunctional module	-	0020017744
VR 32/B eBUS coupler (includes housing)	-	0020235465







## Contacts

### Renewable service and technical enquiries

For technical assistance:  
**Telephone: 0330 100 3540**  
**Email: [aftersales@vaillant.co.uk](mailto:aftersales@vaillant.co.uk)**

### Technical enquiries

For technical assistance:  
**Telephone: 0344 693 3133**  
**email: [aftersales@vaillant.co.uk](mailto:aftersales@vaillant.co.uk)**

### General enquiries

If you have a general enquiry our friendly reception staff will happily point you in the right direction:  
**Telephone: 0345 602 2922**  
**email: [aftersales@vaillant.co.uk](mailto:aftersales@vaillant.co.uk)**

### Training enquiries

Vaillant provides many different training courses. For more information:  
**Telephone: 0345 601 8885**  
**email: [training@vaillant.co.uk](mailto:training@vaillant.co.uk)**

### Dedicated state-of-the-art Centres of Excellence

Vaillant has training facilities all over the country. Our centres have been developed and designed with you in mind, offering a comfortable and superbly equipped training environment in spacious facilities. We offer plenty of opportunities for hands-on experience and product familiarisation.

