

### 8.3.5 UNBLOCK PUMP FUNCTION

When the heat pump is stopped for more than 48 hours (parameter 4211), the water pump turns ON for 5 seconds (parameter 4212) to prevent seizing up and increases the life time of the pump.

In the case of the main pump and the additional pump, the down time after the previous operation stop is counted individually. Furthermore, the pump operation time can be set individually to prevent seizing.

Level	Parameter		Function description	Display and input value				Remarks
	Group	Code		Default	Min.	Max.	Unit	
I	42	11	OFF time for unblock pump function start	48	0	240	1 hr	
I	42	12	Time ON main water pump for unblock pump function	5	0	10	1 sec	

Table 8-5: Unlock pump function parameters

### 8.3.6 PUMP OUTPUT ADJUSTMENT FUNCTION

Adjust the main water pump output so that the required flow rate is produced in the heating system.

Using the DIP SW on the Terminal PCB, three level settings are possible.

! NOTE !

**An excessively low flow rate may cause problems including reduced capacity and poor circulation.**

To select one of the three performance curves, set DIP SW5 and DIP SW6 as shown in Figure 8-4.

Factory default setting:

DIP SW5 and DIP SW6 set to OFF (level 3)

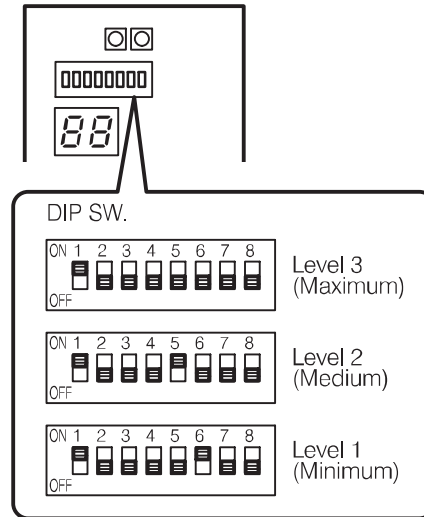


Figure 8-4: Pump output adjustment flow rate - DIP switches

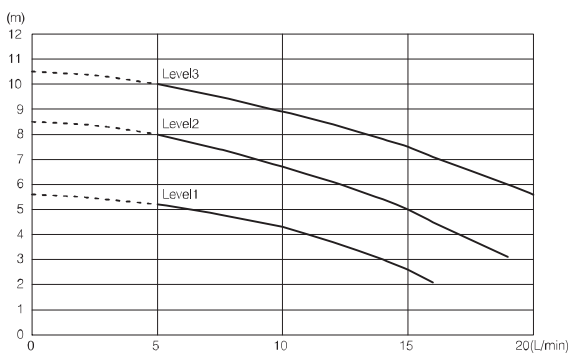


Figure 8-5: Pump output adjustment flow rate - HPID6R32

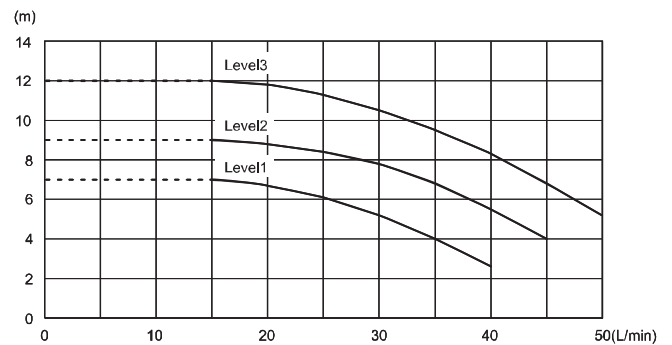


Figure 8-7: Pump output adjustment flow rate - HPID13R32

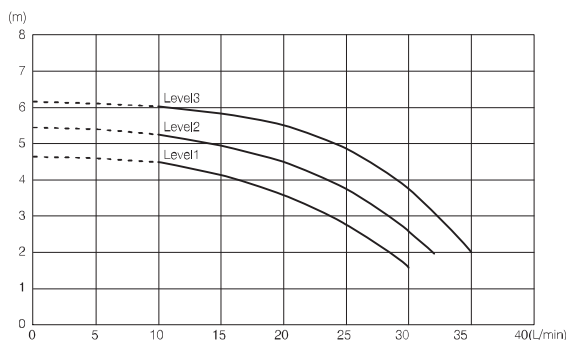


Figure 8-6: Pump output adjustment flow rate - HPID10R32

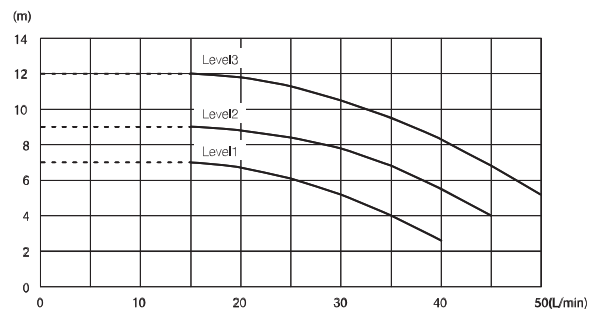


Figure 8-8: Pump output adjustment flow rate - HPID17R32