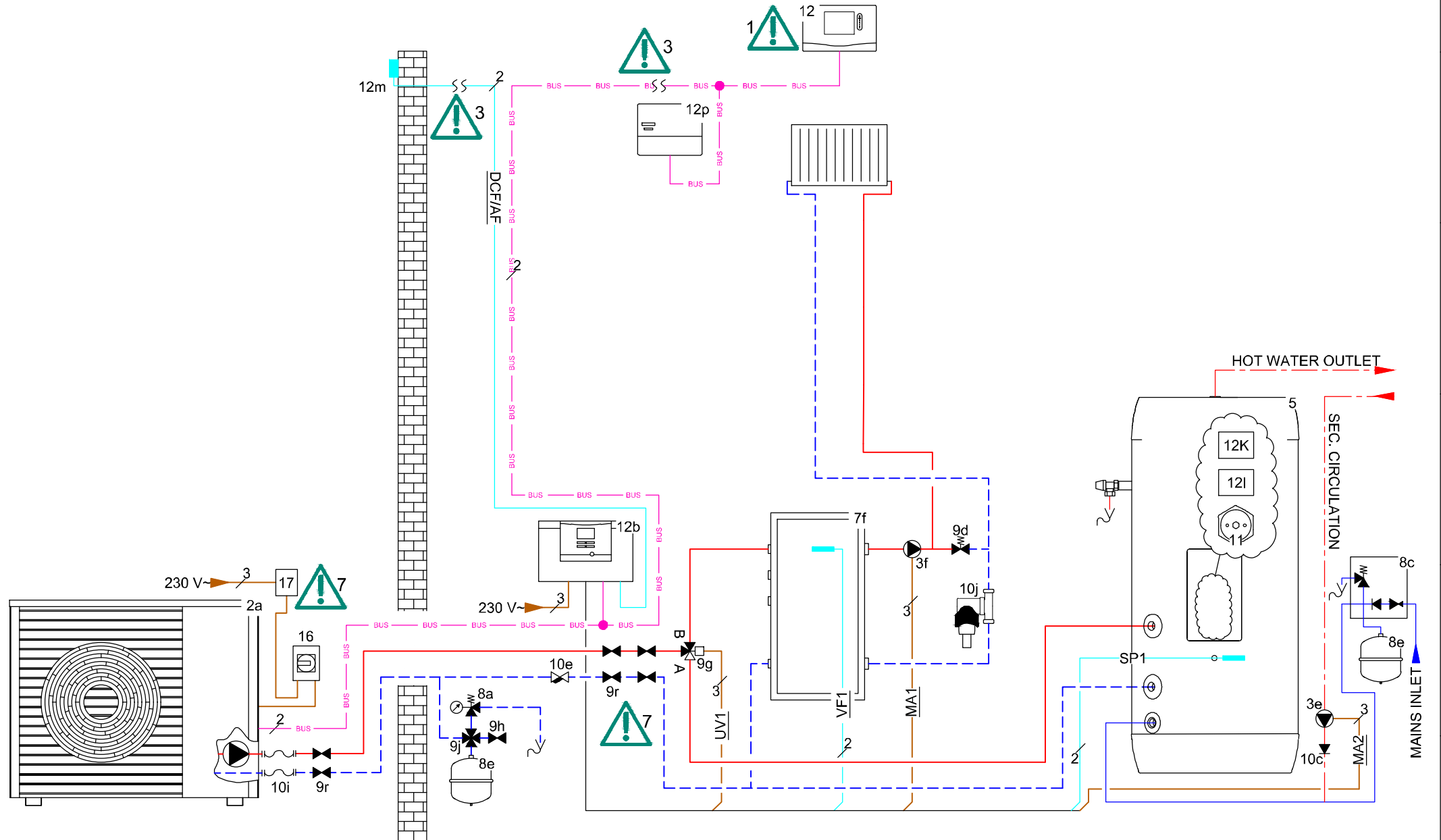


30110-1011



-See page 2 for detailed wiring.

1. See page 3 for relevant controller system configuration settings.
3. Controls and outdoor sensor can be wired or wireless
7. For meter ready requirements (RHI)



Vaillant Group disclaimer: This drawing is supplied for information and general guidance only. No responsibility is accepted for any errors or omissions contained within or for any cost incurred in rectifying any work relating to it.

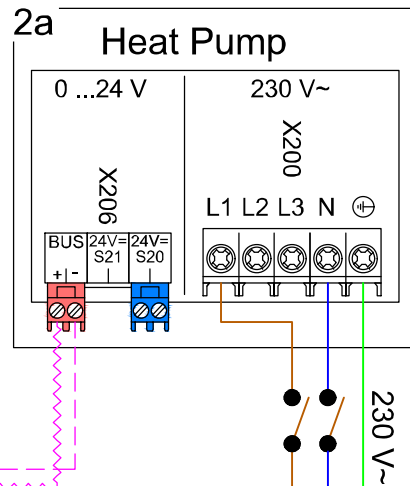
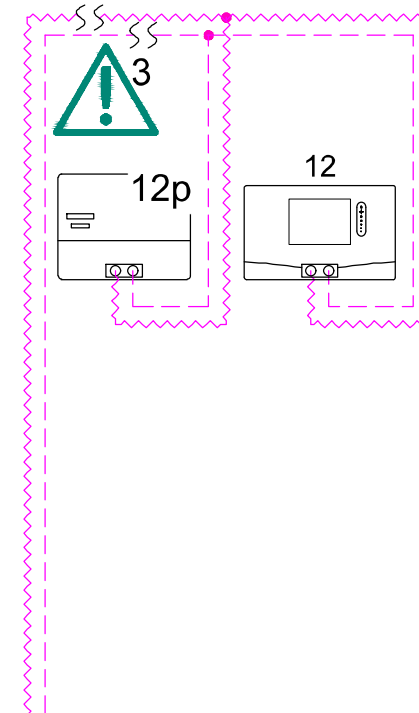
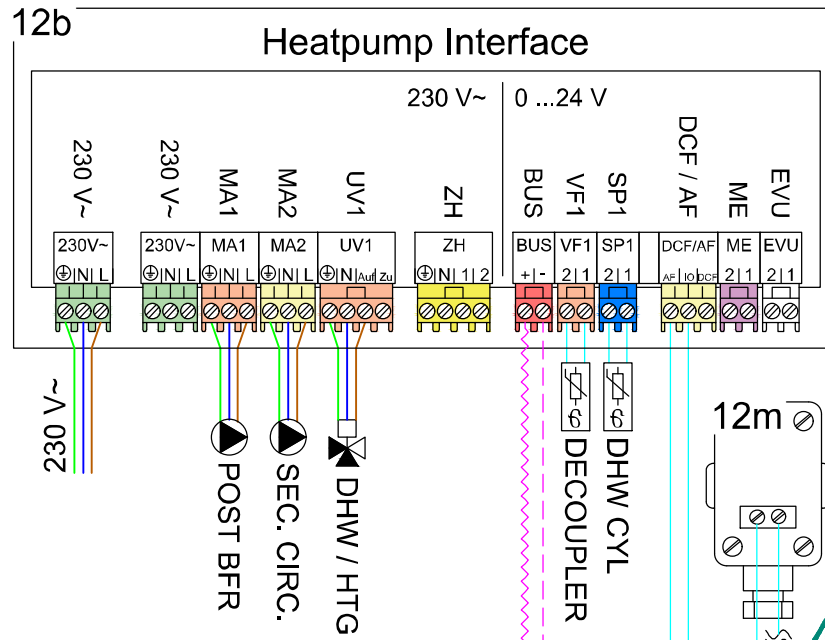
Drawn: A. WILLIS  
15/06/2020 REV: A

Appliance(s): aroTHERM Mono, Buffer (40L Decoupler)  
Control(s): sensoCOMFORT

HTG. Circuit(s): 1x Radiator - Direct ,  
Domestic Hot Water: 1x Cylinder



-See page 2 for detailed wiring.  
 1. See page 3 for relevant controller system configuration settings.  
 3. Controls and outdoor sensor can be wired or wireless  
 7. For meter ready requirements (RHI)



30110-1011

**Terms and Conditions for Vaillant Schematic Diagrams**

PLEASE NOTE THAT THE DIAGRAM PROVIDED IS FOR GENERAL INFORMATION PURPOSES ONLY. THE ADVICE AND INPUT OF A PROFESSIONAL, QUALIFIED, GAS SAFE / MCS INSTALLER MUST BE SOUGHT. VAILLANT IS NOT RESPONSIBLE FOR INSTALLATIONS OR FOR THE PROFESSIONAL DESIGN OF THE SYSTEM.

- All applicable laws and regulations must be followed.
- The Diagram may be subject to alteration at any time.
- Vaillant is not responsible for any inaccuracies or omissions in the information and drawings provided to it and upon which it relies when constructing the diagrams.
- Any reproduction of the design must have the prior permission of Vaillant.
- During the planning, design, installation and later use of the system, all operating instructions must be followed.
- In no circumstances shall Vaillant be liable to you or any other third parties for any loss or damage (including, without limitation, damage for loss of business or loss of profits) arising directly or indirectly from your use of or inability to use, this diagram.
- Vaillant makes no representations or warranties of any kind, express or implied about the completeness, accuracy, reliability or suitability of the diagram for any purpose. Any reliance you place on the diagram is therefore strictly at your own risk.
- These disclaimers and exclusions shall be governed by and construed in accordance with English law.



- 02 aroTHERM Monoblock
- 03e Secondary Circulation Pump
- 03f General Pump
- 05 uniSTOR DHW Cylinder
- 07f 40L Decoupler
- 08a Pressure Relief Valve
- 08c DHW Inlet Safety Group
- 08e Heating / DHW Expansion Vessel
- 09d Bypass Valve
- 09g Diverter Valve
- 09h Fill / Drain Valve
- 09j Expansion Vessel Service Valve
- 09r Isolation Valve
- 10c Non-return Valve
- 10e Y Strainer
- 10i Flexible Connection
- 10j Magnetic Filter
- 11 Immersion Heater
- 12 sensoCOMFORT
- 12b Heat Pump Interface
- 12K High Limit Cut Out
- 12l Cylinder Thermostat
- 12m Outdoor Temperature Sensor
- 12p Wireless Receiver
- 16 Rotary Isolator
- 17 Electric Meter

**sensoCOMFORT / VRC 700 System Configuration**

Not all settings are displayed, commissioning of the controller should be done diligently; going through each adjustable option with consideration to the property and system requirements.

Setting	Value
<b>Installation</b>	
Adapt. heat curve:	Deactivated
Hybrid manager:	Bivalence pt
Heating bivalence point:	-20°
DHW bivalence point:	-20°
Alternative point:	Off
ESCO:	Heating off
Back-up boiler:	Off
Conf. ext. input:	Bridge, deactiv.
<b>Basic system diagram config.</b>	
Basic system diagram code:	10
<b>HP control module configuration</b>	
MO 2:	Circulation pump
<b>Circuit 1</b>	
Circuit type:	Heating
OT switch-off threshold:	30°
Heat curve:	**Site specific
Min. target flow temperature:	15°
Max. target flow temperature:	45°
Set-back mode:	Normal
Room temp. mod.:	Expanded
<b>Zone 1</b>	
Zone activated:	Yes
Zone assignment:	Control
<b>Domestic hot water</b>	
Cylinder:	Active
Anti-legio. day:	**User preference
Anti-legio. time:	**User preference
Cylinder charging offset:	15 K
Cyl. charg. anti-cycl. time:	5 min

REV	DATE	DESCRIPTION	ZONE
A	15/06/2020	Electric Meter & rotary isolation added to outdoor module.	2,E
		Immersion removed, secondary circulation pump added.	8,E
Domestic Cold Water			
Domestic Hot Water			
Heating Flow			
Heating Return			
Glycol Flow			
Glycol Return			
230/400V Wire			
Low Voltage Sensor Wire			
Low Voltage eBUS		BUS	
Low Voltage Demand Signal			
eBUS +			
eBUS -			
Indicates Cable Junction		BUS	
Indicates No. of cable cores		3	